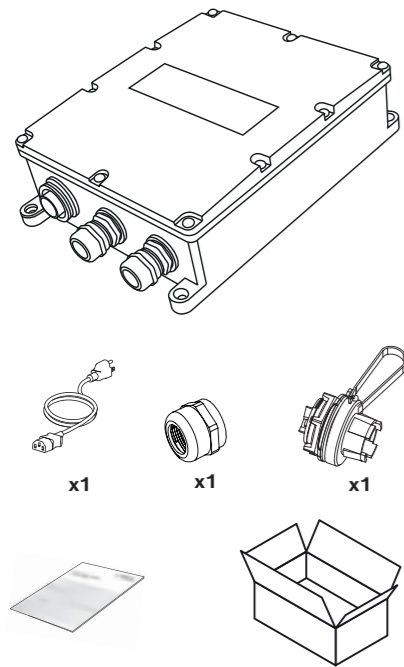


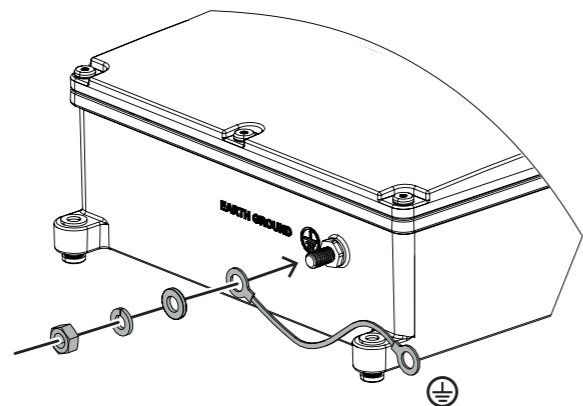
1 |



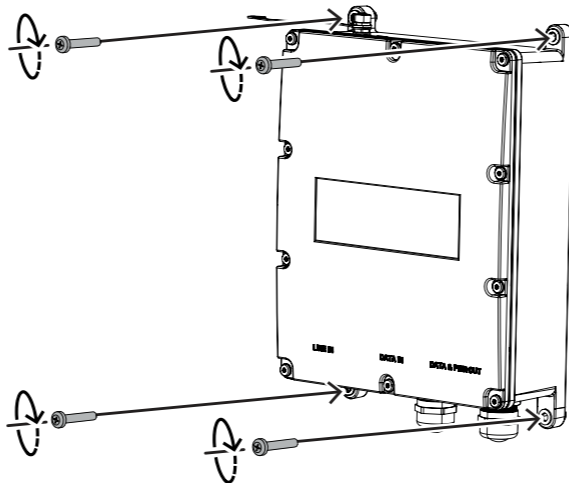
2 |



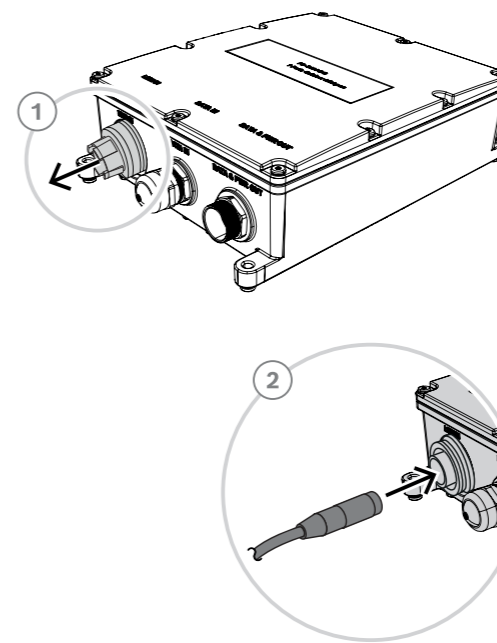
1.1 Nm - 1.7 Nm
(10 - 15 Lb-in.)



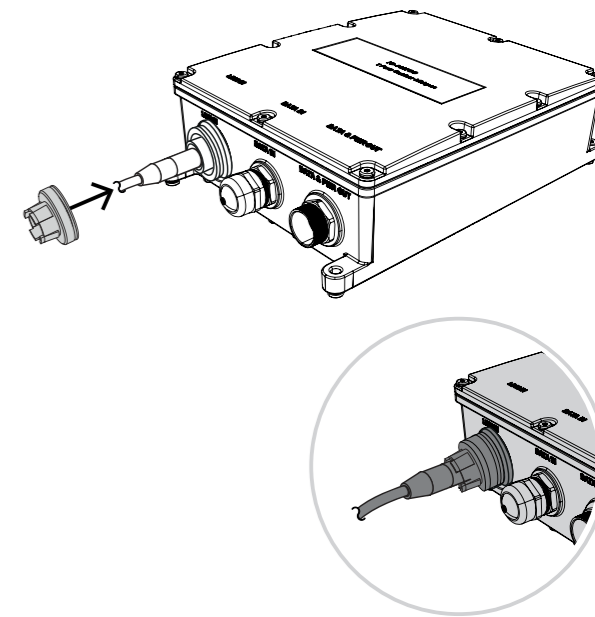
3 |



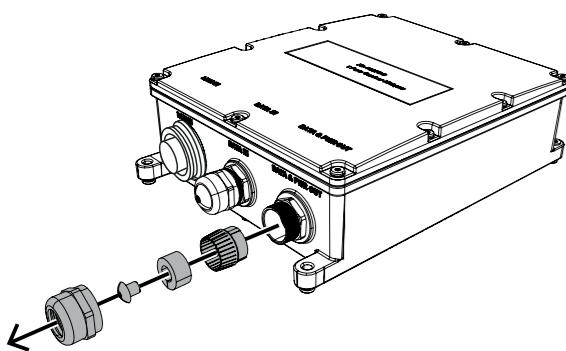
4 |



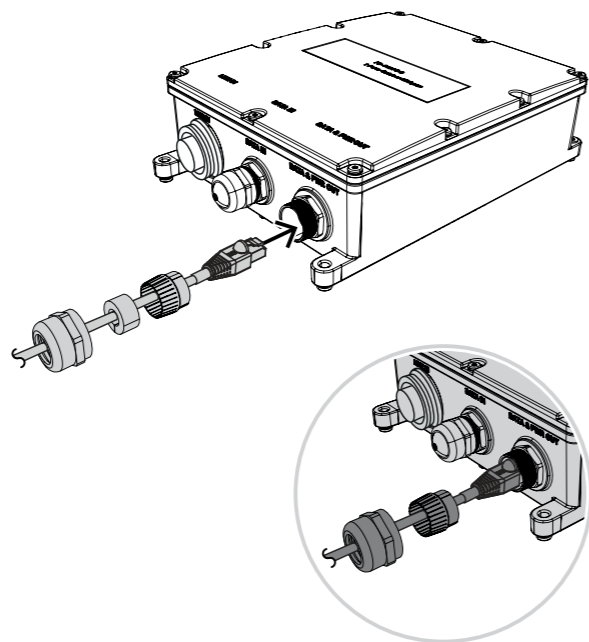
5 |



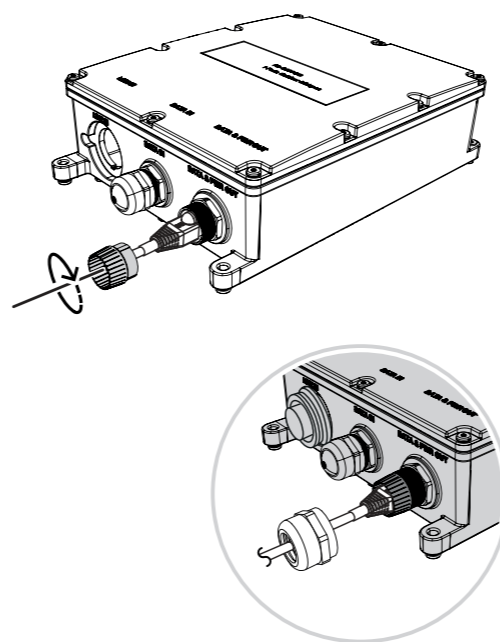
6 |



7 |



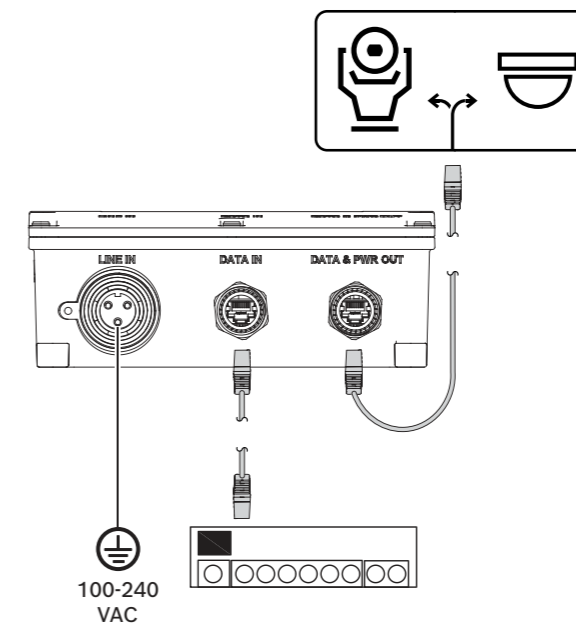
8 |



9 |



Cat5e/Cat6 STP
≤100m (328ft)



10 |

Important safety information

- The unit should be connected to PoE networks only, without routing to the outside plant.
- Only qualified personnel can install or remove the unit.
- Follow basic electricity safety measures whenever connecting the unit to its power source.
- A voltage mismatch can cause equipment damage and may pose a fire hazard. If the voltage indicated on the label is different from the power outlet voltage, do not connect the unit to this power outlet.
- Read the installation instructions before connecting the unit to its power source.
- This device is not suitable for installation in corrosive environments with salt water. Installers must make sure that the installation location does not expose the device housing directly to salt water.
- This device is not suitable for installation or operation in an environment with SO₂.

95 W Outdoor Midspan

NPD-9501-E

en Quick Installation Guide



Disposal

Your Bosch product has been developed and manufactured using high-quality materials and components that can be reused.

This symbol means that electronic and electrical devices that have reached the end of their working life must be disposed of separately from household waste.

In the EU, separate collecting systems are already in place for used electrical and electronic products. Please dispose of these devices at your local communal waste collection point or at a recycling center.