

Interposing Relay Module

Features

- ✧ Driving 220VAC devices.
- ✧ Providing normally open, normally closed output contacts.
- ✧ Plug-in structure.

Description

C-9302 Interposing Relay Module is used with I-9301 Addressable Single I/O Module for signal exchange with equipment 220VAC or high-voltage DC powered.

It's a non-addressable module, input signal is 24VDC; output signal is 220VAC which is transformed to drive the relay.

Connection and Cabling

Fig. 1 shows terminals on the module.

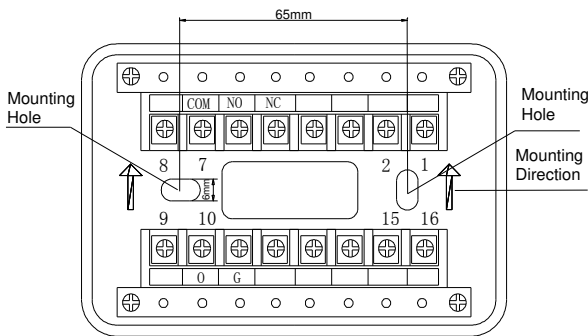


Fig. 1

Connection Description:

COM, NO, NC: normally open, normally closed control contact output terminals.

O, G: Voltage 24VDC control signal input signal.

Recommended Cabling

2.5mm² or above fire cable for all terminals, and subject to local codes.

Installation

The module is simply plugged onto the base after corresponding terminals are connected.



If the cable conduit is inside the wall, the base is installed onto the Back Box (Fig. 2). If the conduit is on the surface of the wall, a B-9310 Back Box is available (Fig. 3).

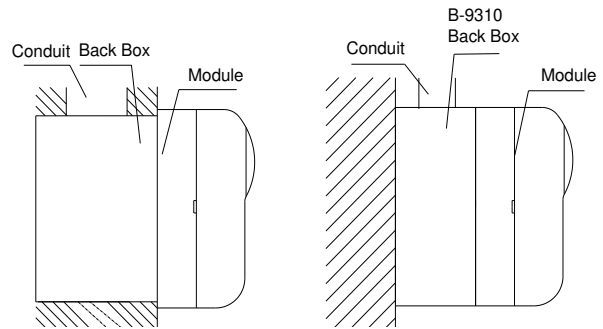


Fig. 2

Fig. 3

Note the upward arrow for mounting direction (Fig. 1).

Application

Method of controlling AC devices is shown in Fig. 4.

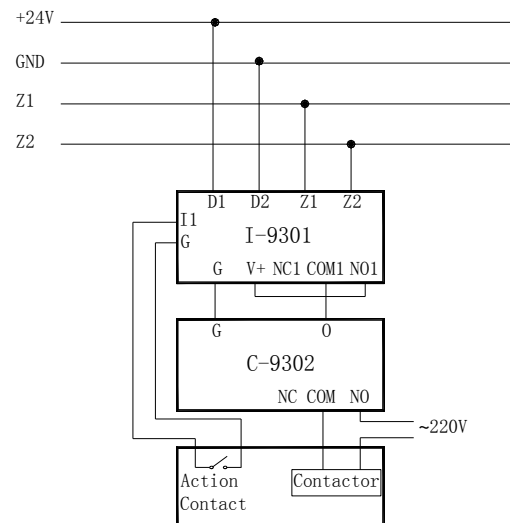


Fig. 4

Specification

Operating Voltage	24VDC (20VDC~28VDC)
Standby Current	0mA
Action Current	≤20mA
Output Capacity	5A/220VAC or 5A/24VDC Maximum transfer value: 250VAC/10A (NO) /6A (NC)
Output Control Mode	Electric level, the relay is always closed.
Ingress Protection Rating	IP30
Action Temperature	-10℃~+50℃
Relative Humidity	≤95%, non-condensing
Material and Color of Enclosure	ABS, white (RAL 9016)
Dimension (L×W×H)	120mm×80mm×43mm (with base)
Weight	About 181g (with base)

WEEE Information



2012/19/EU (WEEE directive):

Products marked with this symbol

cannot be **disposed** of as unsorted

municipal waste in the European Union. For proper recycling, return this product to your local supplier upon the purchase of equivalent new equipment, or dispose of it at designated collection points.

Accessories and Tools

Model	Name	Remark
I-9301	Addressable Single I/O Module	Order separately
B-9310	Back box	Order separately

Limited Warranty

GST warrants that the product will be free of charge for repairing or replacing from defects in design, materials and workmanship during the warranty period. This warranty shall not apply to any product that is found to have been improperly installed or used in any way not in accordance with the instructions supplied with the product. Anybody, including the agents, distributors or employees, is not in the position to amend the contents of this warranty. Please contact your local distributor for products not covered by this warranty.

This Data Sheet is subject to change without notice. Please contact GST for more information or questions.

Gulf Security Technology Co., Ltd.

No. 80, Changjiang East Road, QETDZ, Qinhuangdao, Hebei, P. R. China 066004

Tel: +86 (0) 335 8502434 Fax: +86 (0) 335 8502532

service.gst@fs.utc.com www.gst.com.cn