

H4W2GR1V H4L2GR1V H4W4GR1V

Network TDN Low-Light WDR 2MP/4MP IR Rugged Dome



HD Onvif S G Q

OPERATIONAL	
VIDEO STANDARD	NTSC/PAL
SCANNING SYSTEM	Progressive scan
IMAGE SENSOR	H4W2GR1V, H4L2GR1V: 1/2.8" 2 Megapixel progressive scan CMOS H4W4GR1V: 1/3" 4 Megapixel progressive scan CMOS
NUMBER OF PIXELS (H×V)	H4W2GR1V, H4L2GR1V: 2MP - 1920x1080 H4W4GR1V: 4MP - 2560x1440/2688x1520
MINIMUM ILLUMINATION	H4W2GR1V, H4L2GR1V: Color: 0.001Lux @f/1.6, B/W: 0Lux @f/1.6 (IR on) H4W4GR1V: Color: 0.01Lux @f/1.6, B/W: 0Lux @f/1.6 (IR on)
S/N RATIO	50 dB minimum
ELECTRONIC SHUTTER SPEED	Auto/Manual, 1/3~1/100000s
IR DISTANCE	50m
DAY/NIGHT	Mechanical ICR (ON/OFF/AUTO selectable)
BACKLIGHT COMPENSATION	BLC/HLC/WDR/SAC (Scene Adaptive Control)
DYNAMIC RANGE WIDTH	H4L2GR1V: 140 dB (50/60fps off) H4W4GR1V, H4W2GR1V: 120 dB (50/60fps off)
WHITE BALANCE	Auto/Natural/Street Lamp/Outdoor/Manual Customize Region
GAIN CONTROL	Auto/Manual
NOISE REDUCTION	3D Noise Reduction (ON/OFF selectable)
PRIVACY MASKING	Up to 4 configurable areas
ELECTRONIC IMAGE STABILIZATION	H4W2GR1V, H4W4GR1V: Not supported H4L2GR1V: ON/OFF
DEFOG	Auto/Manual/Off
LENS	H4W2GR1V, H4W4GR1V: 2.7-13.5 mm MFZ, DC IRIS, optical zoom 5x lens F1.6 H4L2GR1V: 2.7-12 mm MFZ, HALL IRIS (Extended Focal Depth), optical zoom 4x lens F1.6
ANGLE OF VIEW	H4W2GR1V: FOV depending on different resolution, H: 110° - 32°, V: 59° - 19° H4L2GR1V: FOV depending on different resolution H: 102° - 35°, V: 54° - 21° H4W4GR1V: FOV depending on different resolution H: 110° - 30°, V: 53° - 18°
AUDIO/TWO-WAY	Line In/Out
ALARM INPUT/OUTPUT	2 In/1 Out
ANALOG OUTPUT SUPPORT	Supported
ETHERNET	H4W2GR1V, H4W4GR1V: RJ-45 (10/100Base-T) H4L2GR1V: RJ-45 (100/1000Base-T)
IP SPECIFICATIONS	
VIDEO COMPRESSION	H.265+, H.265, H.264 and MJPEG bit rate control (CBR and VBR)
RESOLUTION	16:9 H4W2GR1V, H4L2GR1V: 1080p (1920×1080)/720p (1280×720) H4W4GR1V: 3M (2304×1296)/1080p (1920×1080)/720p (1280×720)
	4:3 1.3M (1280×960)/VGA (640×480)
	OTHER H4W2GR1V, H4L2GR1V: D1 (704×576/704×480)/CIF (352×288/352×240) H4W4GR1V: 4M (2688×1520)/(2560×1440), /D1 (704×576/704×480)/CIF (352×288/352×240)

IP SPECIFICATIONS		
FRAME RATE	MAIN STREAM	H4W2GR1V, H4L2GR1V: 1080P (1~50/60fps WDR off) H4W4GR1V: 4M (1~25/30fps)
	SUB STREAM	H4W2GR1V, H4L2GR1V: D1 (1~50/60fps WDR off) H4W4GR1V: D1 (1~25/30fps)
	THIRD STREAM	H4W2GR1V: 1080P (1~25/30fps) H4L2GR1V: 1080P (1~50/60fps WDR off) H4W4GR1V: 4M (1~25/30fps)
		H4W2GR1V: Simultaneous Main stream and Third stream at 1080P (Main stream +Third stream <=68fps, WDR off, 2nd stream off) H4L2GR1V: Simultaneous Main stream and Third stream at 1080P (Main stream at 50/60fps WDR off, Third stream at 50/60fps WDR off) H4W4GR1V: Simultaneous Main stream and Third stream at 4MP (Main stream +Third stream <=34fps, 2nd stream off)
AUDIO COMPRESSION	G.711a/ G.711Mu/AAC/G.726	
AUDIO STREAM	Full duplex, simplex	
SUPPORTED WEB BROWSERS	IE11/Chrome (with application)/Firefox (earlier than 52.0 version)	
SUPPORTED OS	Windows® 7 32-bit/64-bit; Windows® 10 32-bit/64-bit	
SUPPORTED PROTOCOLS*	HTTP, HTTPS, TCP, ARP, RTP; UDP, SMTP, FTP, DHCP, DNS, DDNS, PPPOE, IPv4/v6; QoS; UPnP; NTP; Bonjour; 802.1x; Multicast; ICMP, SNMP	
COMPATIBILITY	ONVIF Profile S, G and Q	
MAXIMUM USERS ACCESS	20 users	
SECURITY	User account and password protection HTTPS, IP Filter, IEEE 802.1x, Digest authentication, User access log, TLS1.2, AES-256, SSH/Telnet closed, FTP disabled, PCI-DSS compliance, Hardware chipset for private key	
HEAT MAP	H4L2GR1V: Support	
BUILT-IN ALARM & EVENT	EVENT TYPE	H4W2GR1V, H4W4GR1V: Motion Detection/Video Tampering/Face Detection/SD Card Error/SD Card Capacity Warning/Audio Detection/Object Abandoned/Object Missing/Tripwire/Intrusion H4L2GR1V: Motion Detection/Video Tampering/Face Detection/SD Card Error/SD Card Capacity Warning/Audio Detection/Object Abandoned/Object Missing/People counting
	EVENT LINKAGE	Recording on SD card, Relay output, Email, Snapshot
	EVENT OUTPUT	ONVIF, ISOM
UPLOADABLE VIDEO ANALYTICS (H4L2GR1V ONLY)	BASIC	Trigger line/Intrusion/Loitering available now. (Please download from www.honeywellvideo.com. Free of Charge, but please email to VALicensing@Honeywell.com to get license.)
	ADVANCED LICENSED ANALYTICS	IntrusionTrace/LoiterTrace for advanced applications coming soon. (Need to purchase separately)
	ANALYTICS OUTPUT	ISOM event output, Metadata
MICRO SD	microSDHC Capacity Max 32 GB microSDXC Capacity Max 128 GB	

MICRO SD FUNCTION	<ul style="list-style-type: none"> • Event trigger recording • Continuous and scheduled recording • Automatic recording when network fails
LANGUAGES SUPPORTED	English, Arabic, Czech, Dutch, French, German, Italian, Japanese, Korean, Polish, Portuguese, Russian, Simplified Chinese, Spanish, Turkish
ELECTRICAL	
POWER SUPPLY	PoE+ (802.3at) Class 4/12 VDC/24 VAC
LONG DISTANCE POE SUPPORT	3X PoE (300m @100Mbps)
AC FREQUENCY	50/60 Hz
POWER CONSUMPTION	H4W2GR1V: Max 22W H4L2GR1V: Max 20.5W H4W4GR1V: Max 15W
AUXILIARY POWER SUPPLY	2.0W, DC12V (+/-5%)
MECHANICAL	
DIMENSIONS	6.2" x 4.6" (159.0 x 118.0 mm)
WEIGHT	H4W2GR1V: Product weight: 2.46lb (1117g) Package Weight: 4.40lb (1994g) H4L2GR1V: Product weight: 2.49lb (1130g) Package Weight: 4.42lb (2007g) H4W4GR1V: Product weight: 2.47lb (1119g) Package Weight: 4.40lb (1997g)
CONSTRUCTION	Die-cast aluminum housing with powder coat
CONSTRUCTION COLOUR	RAL 9003 (White)


ENVIRONMENTAL	
OPERATING TEMPERATURE	-40°F to 140°F (-40°C to 60°C)
RELATIVE HUMIDITY	0% to 95%, non-condensing
GORE VENTS	Yes
INGRESS PROTECTION	IP 67
IMPACT RESISTANCE	IK10
HEATER, FAN OPTION	Heater, Fan
REGULATORY	
EMISSIONS	FCC Part 15, CE (EN 55032); Complies with RCM (AS/NZS)
IMMUNITY	CE (EN 50130-4)
SAFETY	North America UL Listed to UL/CSA 60950-1, CE (EN 60950-1); North America UL Listed to UL/CSA 60950-22, CE (EN 60950-22)
ROHS	EN50581

* Some development may be required in specific user cases to support some of these protocols in the field as they mature over time.

** ADPRO® IntrusionTrace™ and ADPRO® LoiterTrace™ are Xtralis® video content analytics products. Additional license purchase(s) required. See <http://www.xtralis.com/analytics> for more information.

Network TDN Low-Light WDR 2MP/4MP IR Rugged Dome

RECOMMENDED ACCESSORIES

SYSTEM INTEGRATION	
<p>ONVIF support and open API software integration. Refer to www.onvif.org for the ONVIF specification and the Honeywell Open Technology Alliance website (http://www.security.honeywell.com/hota/) to learn more about our open and integrated solutions.</p>	

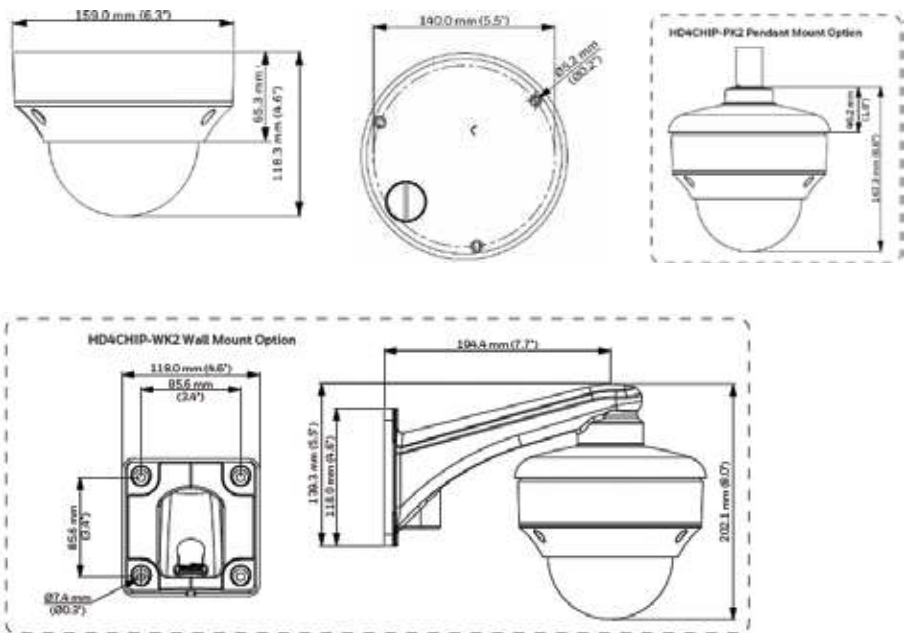
HOUSING AND MOUNTS		
HB4G-PM		Pole Mount Adapter
HB34G-CM		Corner Mount Adapter
HD4CHIP-PK2		Pendant Mount Adapter, NPT
H4G-PK		Pendant Mount Adapter, G1.5
HD4CHIP-WK2		Wall Mount Bracket
H4G-CB		Replacement Dome (Clear)
H4G-SB		Replacement Dome (Smoke)
HPOE3X		3X Long Distance POE Switch
HLR1001		IP over Coax Converter

Network TDN Low-Light WDR 2MP/4MP IR Rugged Dome

ORDERING

H4W2GR1V	Network TDN Low Light WDR IR Outdoor Dome Camera, 1/2.8" 2 Megapixel progressive scan CMOS, 2.7-13.5 mm MFZ, 4 IR LEDs, PoE+, H.265.
H4L2GR1V	Network TDN Intelligent Ultra WDR IR Outdoor Dome Camera, 1/2.8" 2 Megapixel progressive scan CMOS, 2.7-12 mm MFZ, 4 IR LEDs, PoE+, H.265.
H4W4GR1V	Network TDN WDR IR Outdoor Dome Camera, 1/3" 4 Megapixel progressive scan CMOS, 2.7-13.5 mm MFZ, 4 IR LEDs, PoE+, H.265.

DIMENSIONS*



For more information

www.honeywellvideo.com

Honeywell Security and Fire

2700 Blankenbaker Pkwy, Suite 150

Louisville, KY 40299

1.800.323.4576

www.honeywell.com

ONVIF and the ONVIF logo are trademarks of ONVIF Inc. Honeywell reserves the right, without notification, to make changes in product design or specifications.

L/H4XXGRXVD/D | 06/18
© 2018 Honeywell International Inc.

Honeywell