

4-/8-/16-Channel ENVRs

HEN04103/HEN04113/HEN04123/HEN08103
HEN08113/HEN08123/HEN08143/HEN16103/
HEN16123/HEN16143/HEN16163

Introducing Honeywell's Performance Series Embedded NVRs, our newest affordable, fully-featured NVRs offer Ultra 4k HD video resolution. Choose between a 4-, 8-, or 16-channel NVR, with multiple hard drive options and up to 16 TB of internal storage, for an ideal and flexible solution to fit your surveillance needs.

Fully-featured NVRs

- High decoding capability for Ultra 4K HD viewing and recording
- View 4/8/16 channels simultaneously with synchronized real-time playback on your monitor (depending on your model)
- Up to 8 MP (4K) resolution live view, preview and playback
- Up to 8 channels at 1080p H.265/H.264 decoding

Dynamic, Accessible Monitoring

- Mobile apps provide anytime, anywhere access for both Apple® and Android™ devices (smartphones, tablet computers, and laptops)
- Protect the NVR's video and network setup with password-protected access
- Conceal up to 4 areas of a scene from viewing and recording

Convenient, Flexible Storage Options

- Internal storage supports 2 HDDs expandable up to 16 TB (8 TB each)
- Store video clips and snapshots to external storage, such as the client's PC, through the Internet connection
- Store video clips and snapshots to external network storage servers, such as an FTP site
- Store video clips and snapshots to a USB memory device



Easy to Use

- The Quick wizard and PoE support (up to 4/8/16 channels) enable a fast and efficient set up
- Quick installations utilizing an intuitive NVR design and easy-to-understand quick installation guides
- Simple remote configuration and firmware update through the Honeywell Viewer web client and the Honeywell Config tool

Market Opportunities

The flexible storage options, high recording and networking performance of the Embedded NVRs make these NVRs perfect for a wide range of security applications.

FEATURES & BENEFITS

These fully featured attractive cameras are perfect for outdoor installations that require excellent picture quality at minimal bandwidth while offering maximum protection against dust, dirt, and water. Boasting a sleek, modern design and offering two different lens options, the cameras are suited for a wide range of applications.

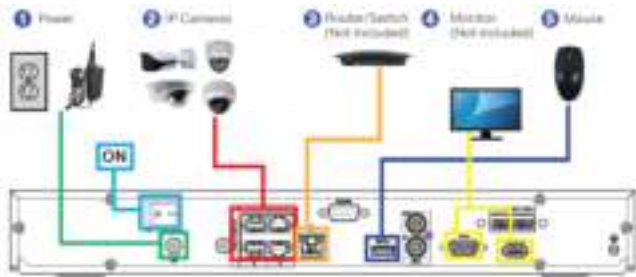
- H.265/H.264 codec decoding
- Supports up to 4 alarm input channels and 2 alarm relay output channels
- Supports recording a video clip of events for distribution
- Configurable to automatically detect and respond to motion in the scene, alarm inputs, and network failure or tampering
- Supports visual or auditory notifications (a flashing light, bell, or siren)
- HDMI/VGA simultaneous video output
- Supports sending notifications through email, FTP, and/or HTTP
- Supports uploading still images at the time of the event through email and/or FTP
- Maximum incoming bandwidth of 200 Mbps
- UL listed
- Supports Smart Face detection search
- Integration with Maxpro Cloud and the IView Now

4-/8-/16-Channel ENVRs

SYSTEM DIAGRAM

HEN041*3

* = hard drive capacity in TB.



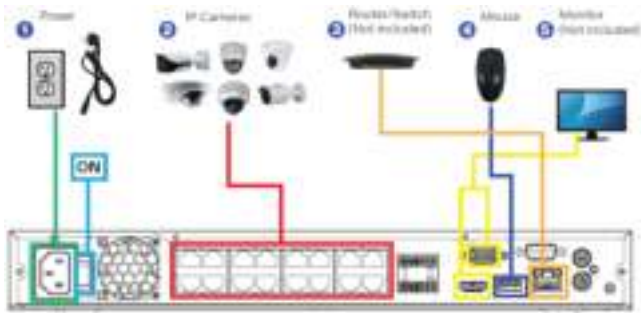
HEN081*3

* = hard drive capacity in TB.

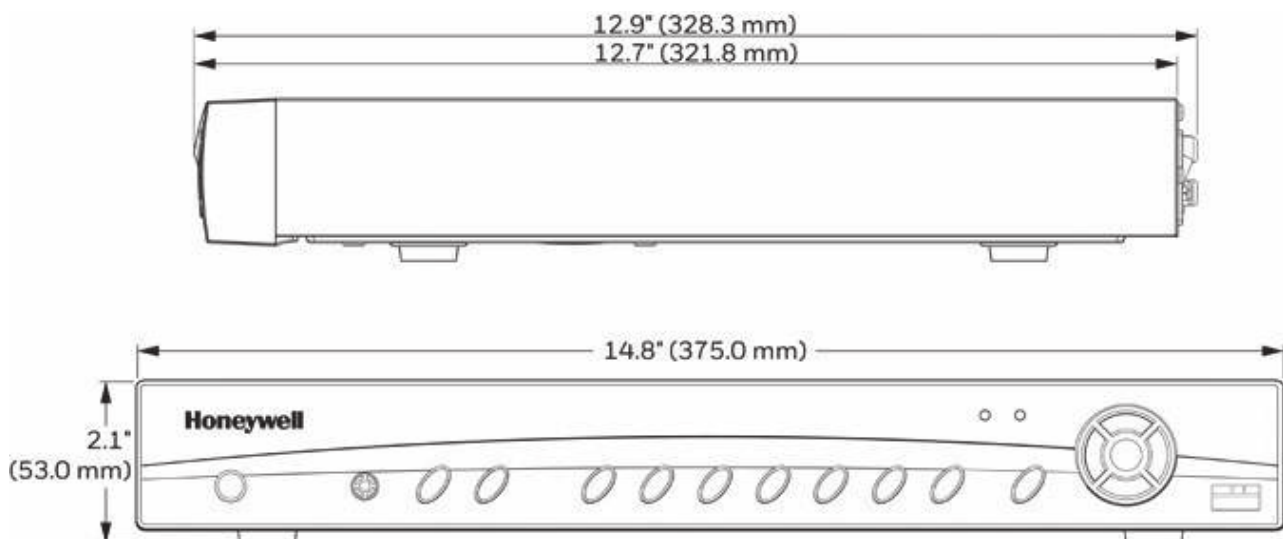


HEN061*3

* = hard drive capacity in TB.



DIMENSIONS



Note: The dimensions of HEN081*3/HEN161*3 are shown here. For the dimensions of HEN041*3, see technical specifications on the next page.

4-/8-/16-Channel ENVRs

TECHNICAL SPECIFICATIONS

SYSTEM	
MAIN PROCESSOR	Quad-core embedded processor
OPERATING SYSTEM	Embedded LINUX
VIDEO	
INPUTS	HEN041*3: 4 Channels IP HEN081*3: 8 Channels IP HEN161*3: 16 Channels IP
AUDIO	
AUDIO INPUT/OUTPUT	1 Channel Input/1 Channel Output, RCA
TWO-WAY COMMUNICATION	Supported
OPERATIONAL	
INTERFACE	1 HDMI, 1 VGA
RESOLUTION	3840 × 2160; 1920 × 1080; 1280 × 1024; 1280 × 720;
DISPLAY SPLIT	HEN041*3: 1/4 HEN081*3: 1/4/8/9 HEN161*3: 1/4/8/9/16
OSD	Camera title; Time; Video loss; Camera lock; Motion detection; Recording
OPERATIONAL	
COMPRESSION	H.265/H.264
RESOLUTION	8 MP (3840 × 2160); 6 MP (3072 × 2048); 5 MP (2560 × 1920); 4 MP (2560 × 1440); 3 MP (2048 × 1520); 1080p (1920 × 1080); 720p (1280 × 720); D1 (704 × 576/704 × 480); CIF (352 × 288/352 × 240)
FRAME RATE	1–15 fps (8 MP); 1–25/30 fps (rest of the resolutions) for each channel
RECORD BIT RATE	200Mbps
BIT RATE ¹	16 kbps ~ 20 Mbps, per channel
RECORDING MODE	Schedule (Regular/Continuous, Motion Detection, Alarm); Manual; Stop
RECORDING INTERVAL	1 to 120 minutes (default 60 min)
PRE-EVENT RECORDING INTERVAL	1 to 30 seconds
POST-EVENT RECORDING INTERVAL	10 to 300 seconds
VIDEO DETECTION AND ALARMS	
TRIGGER EVENTS	Recording; PTZ; Tour; Alarm; Video Push; Email; FTP; Snapshot; Buzzer; Screen Tips
VIDEO DETECTION	Motion Detection—MD Zones: 396 (22 × 18); Video Loss; Tampering
ALARM INPUT	4 Channels
RELAY OUTPUT	2 Channels
STORAGE	
INTERNAL HDD	2 SATA III ports, up to 16 TB
PLAYBACK AND BACKUP	
SYNC PLAYBACK	4-channel NVRs: 1/4 8-channel NVRs: 1/4/8 16-channel NVRs: 1/4/8/16
DECODING	2-ch in 8 MP@15fps or 4-ch in 1080P@30fps
SEARCH MODE	Time/Date; Alarm; Motion Detection (MD); Exact Search (accurate to a second); Smart Search
PLAYBACK FUNCTION	Play; Pause; Stop; Rewind; Fast play; Slow play; Next File; Previous File; Next Camera; Previous Camera; Full Screen; Repeat; Shuffle; Backup Selection; Digital Zoom
BACKUP MODE COMPATIBILITY	USB Device; Network

NETWORK	
ETHERNET	1 RJ-45 port (10/100/1000 Mbps)
POE	HEN041*3: 4 ports (802.3af/at) HEN081*3: 8 ports (802.3af/at) HEN161*3: 16 ports (802.3af/at)
SUPPORTED PROTOCOLS ²	HTTP, HTTPS, TCP/IP, IPv4/IPv6, UPnP, RTSP, UDP, SMTP, NTP, DHCP, DNS, IP Filter, PPPoE, DDNS, FTP, Alarm Server, IP Search, P2P
MAXIMUM NUMBER OF USERS	128 users
NETWORK THROUGHPUT	200Mbps
SMART PHONE COMPATIBILITY	iPhone; iPad; Android
AUXILIARY INTERFACE	
USB PORTS	2 (1 USB3.0; 1 USB2.0)
RS232	1 port (for POS communications)
ELECTRICAL	
POWER SUPPLY	HEN041*3: DC48V/2A HEN081*3/HEN161*3: AC100V ~ 240V, 50 ~ 60 Hz
POWER CONSUMPTION	HEN041*3: <9W (Without HDD) HEN081*3: <9.6W (Without HDD) HEN161*3: <13.2W (Without HDD)
POE	HEN041*3: Max 25.5w for single port, 50w in total HEN081*3: Max 25.5w for single port, 80w in total HEN161*3: Max 25.5w for single port, 130w in total
ENVIRONMENTAL	
OPERATING TEMPERATURE	-10°C ~ +55°C
RELATIVE HUMIDITY	0% to 90% relative humidity
STORAGE TEMPERATURE	-20°C to 70°C
PHYSICAL	
DIMENSIONS	HEN041*3: 1U, 375mm×281.5mm×56mm HEN081*3/HEN161*3: 1U, 375mm×327.5mm×53mm
WEIGHT (WITHOUT HDD)	HEN041*3: 1.6kg (3.5 lb) (without HDD) HEN081*3: 2.6kg (5.7 lb) (without HDD) HEN161*3: 2.7kg (6.0 lb) (without HDD)
REGULATORY	
EMISSIONS	HEN041*3: FCC Part 15B, EN55032: 2012 +AC: 2013 HEN081*3/HEN161*3: FCC Part 15B, EN55032: 2012 +AC: 2013, EN61000-3-2: 2014, EN61000-3-3: 2013
IMMUNITY	EN50130-4: 2011
SAFETY	EU: EN60950-1 North America UL listed to UL/CSA 60950-1
ROHS	EN50581: 2012

1. Actual bitrate is scene and motion dependent with H.264 stream.
2. Some development might be required in specific user cases to support some of these protocols in the field, as protocols will mature over time.

* = hard drive capacity in TB.

4-/8-/16-Channel ENVRs

ORDERING

ACCESSORIES	
RACK MOUNT TRAY	HENHQATRAY

RECOMMENDED CAMERAS ¹	
MINIDOME IP CAMERAS	H4D3PRV2, H4W2PRV2, H4W4PRV2, H2W2PRV3, H2W4PRV3, H4D3PRV3, H4W4PRV3, H4D8PR1, H4W4PER2, H4W4PER3
BULLET IP CAMERAS	HBD3PR2, HBW2PR2, HBW4PR2, HBW4PER2, HBW2PR1, HBD8PR1, HBD2PER1, HBW4PER1, HBD1PR1, HBD3PR1
IR PTZ IP CAMERAS	HDZP252DI, HDZP304DI
BALL/MICRO DOME IP CAMERAS	HEW2PRW1, HEW4PRW3, HED8PR1, HED2PER3, HEW4PER3, HEW2PR1, HEW4PR3, HEW2PR2, HEW4PR2, HED1PR3, HED3PR3

1. Visit the Honeywell Website for new camera support information

ORDERING	
HEN04103	H.265 4CH NVR, 0TB, 4 POE Ports, 4k, output HDMI/VGA 4k, Ethernet Gigabit, 120fps
HEN04113	H.265 4CH NVR, 1TB, 4 POE Ports, 4k, output HDMI/VGA 4k, Ethernet Gigabit, 120fps
HEN04123	H.265 4CH NVR, 2TB, 4 POE Ports, 4k, output HDMI/VGA 4k, Ethernet Gigabit, 120fps
HEN08103	H.265 8CH NVR, 0TB, 8 POE Ports, 4k, output HDMI/VGA 4k, Ethernet Gigabit, 240fps
HEN08113	H.265 8CH NVR, 1TB, 8 POE Ports, 4k, output HDMI/VGA 4k, Ethernet Gigabit, 240fps
HEN08123	H.265 8CH NVR, 2TB, 8 POE Ports, 4k, output HDMI/VGA 4k, Ethernet Gigabit, 240fps
HEN08143	H.265 8CH NVR, 4TB, 8 POE Ports, 4k, output HDMI/VGA 4k, Ethernet Gigabit, 240fps
HEN16103	H.265 16CH NVR, 0TB, 16 POE Ports, 4k, output HDMI/VGA 4k, Ethernet Gigabit, 480fps
HEN16123	H.265 16CH NVR, 2TB, 16 POE Ports, 4k, output HDMI/VGA 4k, Ethernet Gigabit, 480fps
HEN16143	H.265 16CH NVR, 4TB, 16 POE Ports, 4k, output HDMI/VGA 4k, Ethernet Gigabit, 480fps
HEN16163	H.265 16CH NVR, 6TB, 16 POE Ports, 4k, output HDMI/VGA 4k, Ethernet Gigabit, 480fps

For more information

www.security.honeywell.com/uk

Honeywell Commercial Security

Honeywell Security Office -
Emaar Business Park, Sheikh Zayed Road
Building No. 2, 2nd floor, 201
Post Office Box 232362
Dubai, United Arab Emirates
Tel: +971 44541704

Honeywell Commercial Security

Aston Fields Road
Whitehouse Industrial Estate
Runcorn, Cheshire, WA7 3DL
United Kingdom
Tel: +44 (0)8448 000 235
www.honeywell.com

Honeywell reserves the right, without notification, to make changes in product design or specifications.

HSV-HENxxxx3-04-UK(1219)DS-Z
© 2019 Honeywell International Inc.

