

Features

- ◇ Red/Yellow-color LED indicators.
- ◇ Push button controls (ZC-400F P-9982F).

Description

- ◇ Refer to IFP4M Fire Alarm Control Panel Installation (Document # 30310301) and Operation Manual (Document # 30310331)
 - ◇ As ZCP board of GST-IFP4M, **ZC-400F** Zone Display and Control Board (RY color) can control indicators and be used to input keys.
 - ◇ **P-9981F** contains ZC-400F board and panel (without keys), which can only display indicators.
 - ◇ **P-9982F** contains ZC-400F board and panel (with keys), which can control indicators and be used to input keys.
- 1) Cascade Port: XS2, XS3, XS4
 - 2) Indicators: HL1~HL40 indicators light red and yellow in turn as GST-IFP4M control panel tests itself.

Connection & Wiring

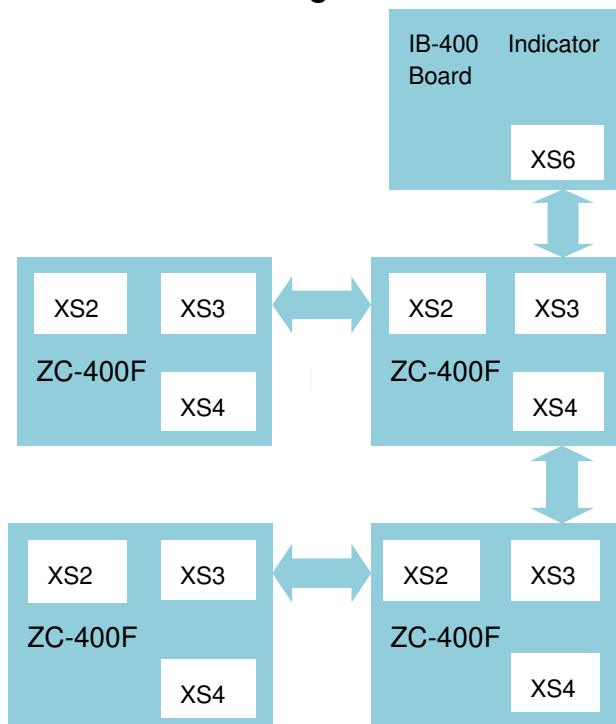


Fig. 1 Cascade Connection

Installation

ZC-400F Zone Display and Control Board (RY color) is installed on the P-9981F panel (without keys) or P-9982F panel (with keys). Install that on to the GST-IFP4M according to the "↑". Then fix it with two screws.

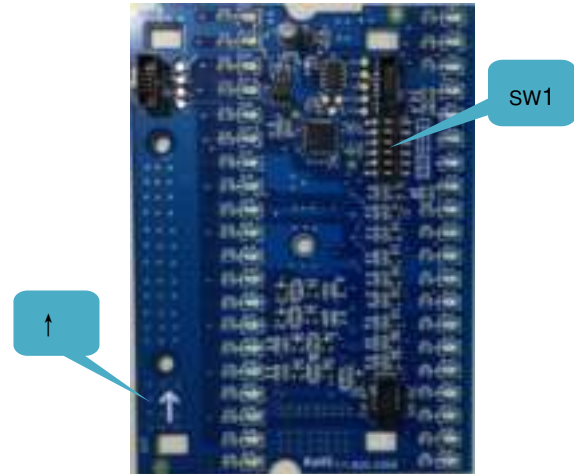
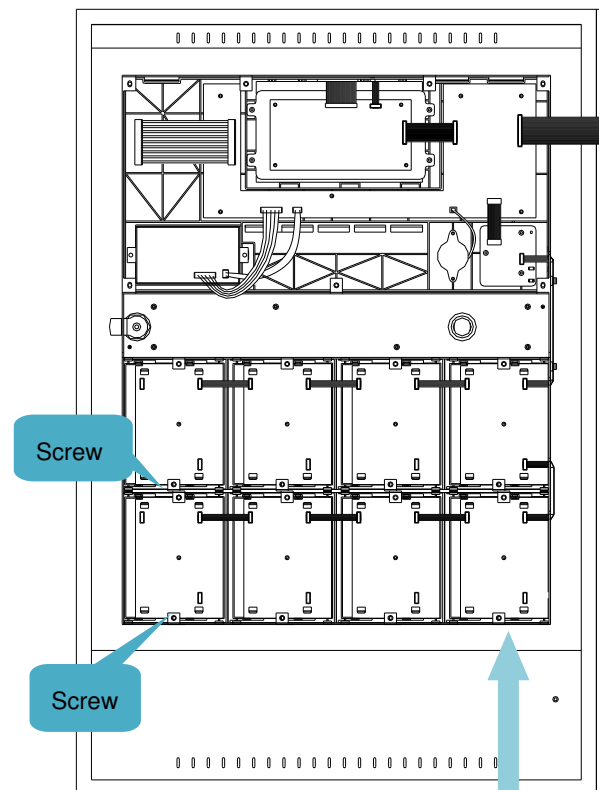


Fig. 2 ZC-400F Zone Display and Control Board (RY color)



ZC-400F Zone Display and Control Board (RY color)

Fig. 3

P-9981F P-9982F Zone display and control panel is installed on the cabinet door. The

following Fig.4 shows how to install it.

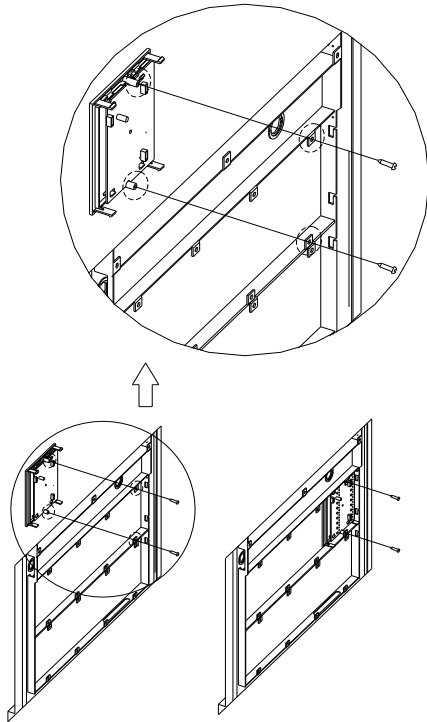


Fig. 4

First, Align the snap of the zone display and control panel with the slot on the door; Second, Hook the zone display and control panel with the door; Finally, fix the panel with screws.

Set Address

Put the code switch of SW1 (as shown in Fig.2) to the side of the number. Actual address= Address of the Code Switch +1.

For example: If the actual address is 2, dial the code switch to the side of number 1. If the actual address is 1, there is no need to dial the code switch.

Installation of Labels

Installation steps Fig.5 are shown below for labels on the ZCP.

Take the transparent baffle from the ZCP by using a small screwdriver. Put the printed label into the slot for ZCP label and then restore the transparent baffle. Maximum 8 locations can be installed with P-9981F or P-9982F Zone display and control modules.

This Data Sheet is subject to change without notice. Please contact GST for more information or questions.

Gulf Security Technology Co., Ltd.

No. 80, Changjiang East Road, QETDZ, Qinhuangdao, Hebei, P. R. China 066004

Tel: +86 (0) 335 8502434 Fax: +86 (0) 335 8502532

service.gst@fs.utc.com www.gst.com.cn

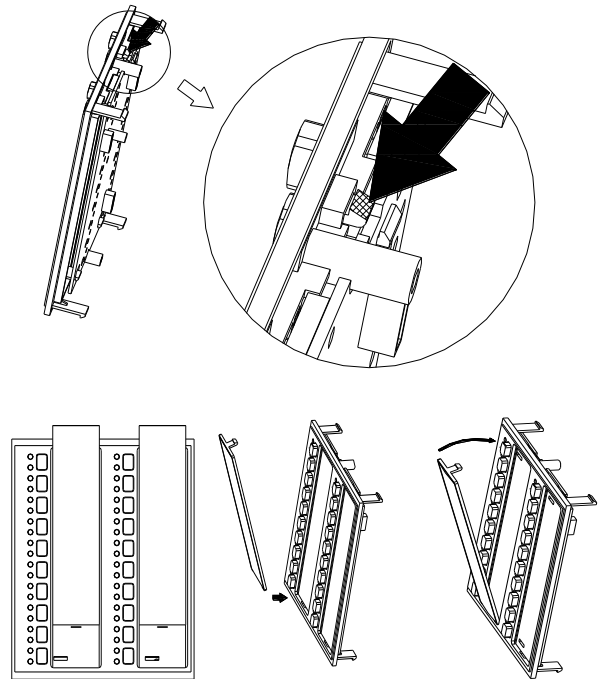


Fig. 5

Application

ZC-400F P-9981F P-9982F Zone Display and Control Board (RY color) is fixed on the plastic enclosure of the ZCP through screws.

Specification

Ambient Temperature	0°C ~ +49°C
Relative Humidity	≤93%, non-condensing
Electrical Rating	5VDC, 20mA,

Limited Warranty

GST warrants that the product will be free from defects in design, materials and workmanship during the warranty period. This warranty shall not apply to any product that is found to have been improperly installed or used in any way not in accordance with the instructions supplied with the product. Anybody, including the agents, distributors or employees, is not in the position to amend the contents of this warranty. Please contact your local distributor for products not covered by this warranty.