

H4W2GR1V H4L2GR1V H4W4GR1V

Network TDN Low-Light WDR 2MP/4MP IR Rugged Dome



HD Onvif S G Q

| OPERATIONAL | |
|--------------------------------|---|
| VIDEO STANDARD | NTSC/PAL |
| SCANNING SYSTEM | Progressive scan |
| IMAGE SENSOR | H4W2GR1V, H4L2GR1V: 1/2.8" 2 Megapixel progressive scan CMOS H4W4GR1V: 1/3" 4 Megapixel progressive scan CMOS |
| NUMBER OF PIXELS (H×V) | H4W2GR1V, H4L2GR1V: 2MP - 1920x1080 H4W4GR1V: 4MP - 2560x1440/2688x1520 |
| MINIMUM ILLUMINATION | H4W2GR1V, H4L2GR1V: Color: 0.001Lux @f/1.6, B/W: 0Lux @f/1.6 (IR on) H4W4GR1V: Color: 0.01Lux @f/1.6, B/W: 0Lux @f/1.6 (IR on) |
| S/N RATIO | 50 dB minimum |
| ELECTRONIC SHUTTER SPEED | Auto/Manual, 1/3~1/100000s |
| IR DISTANCE | 50m |
| DAY/NIGHT | Mechanical ICR (ON/OFF/AUTO selectable) |
| BACKLIGHT COMPENSATION | BLC/HLC/WDR/SAC (Scene Adaptive Control) |
| DYNAMIC RANGE WIDTH | H4L2GR1V: 140 dB (50/60fps off) H4W4GR1V, H4W2GR1V: 120 dB (50/60fps off) |
| WHITE BALANCE | Auto/Natural/Street Lamp/Outdoor/Manual Customize Region |
| GAIN CONTROL | Auto/Manual |
| NOISE REDUCTION | 3D Noise Reduction (ON/OFF selectable) |
| PRIVACY MASKING | Up to 4 configurable areas |
| ELECTRONIC IMAGE STABILIZATION | H4W2GR1V, H4W4GR1V: Not supported H4L2GR1V: ON/OFF |
| DEFOG | Auto/Manual/Off |
| LENS | H4W2GR1V, H4W4GR1V: 2.7-13.5 mm MFZ, DC IRIS, optical zoom 5x lens F1.6 H4L2GR1V: 2.7-12 mm MFZ, HALL IRIS (Extended Focal Depth), optical zoom 4x lens F1.6 |
| ANGLE OF VIEW | H4W2GR1V: FOV depending on different resolution, H: 110° - 32°, V: 59° - 19° H4L2GR1V: FOV depending on different resolution H: 102° - 35°, V: 54° - 21° H4W4GR1V: FOV depending on different resolution H: 110° - 30°, V: 53° - 18° |
| AUDIO/TWO-WAY | Line In/Out |
| ALARM INPUT/OUTPUT | 2 In/1 Out |
| ANALOG OUTPUT SUPPORT | Supported |
| ETHERNET | H4W2GR1V, H4W4GR1V: RJ-45 (10/100Base-T) H4L2GR1V: RJ-45 (100/1000Base-T) |
| IP SPECIFICATIONS | |
| VIDEO COMPRESSION | H.265+, H.265, H.264 and MJPEG bit rate control (CBR and VBR) |
| RESOLUTION | 16:9 H4W2GR1V, H4L2GR1V: 1080p (1920×1080)/720p (1280×720) H4W4GR1V: 3M (2304×1296)/1080p (1920×1080)/720p (1280×720) |
| | 4:3 1.3M (1280×960)/VGA (640×480) |
| | OTHER H4W2GR1V, H4L2GR1V: D1 (704×576/704×480)/CIF (352×288/352×240) H4W4GR1V: 4M (2688×1520)/(2560×1440), /D1 (704×576/704×480)/CIF (352×288/352×240) |

| IP SPECIFICATIONS | | |
|--|--|--|
| FRAME RATE | MAIN STREAM | H4W2GR1V, H4L2GR1V: 1080P (1~50/60fps WDR off) H4W4GR1V: 4M (1~25/30fps) |
| | SUB STREAM | H4W2GR1V, H4L2GR1V: D1 (1~50/60fps WDR off) H4W4GR1V: D1 (1~25/30fps) |
| | THIRD STREAM | H4W2GR1V: 1080P (1~25/30fps) H4L2GR1V: 1080P (1~50/60fps WDR off) H4W4GR1V: 4M (1~25/30fps) |
| | | H4W2GR1V: Simultaneous Main stream and Third stream at 1080P (Main stream +Third stream <=68fps, WDR off, 2nd stream off) H4L2GR1V: Simultaneous Main stream and Third stream at 1080P (Main stream at 50/60fps WDR off, Third stream at 50/60fps WDR off) H4W4GR1V: Simultaneous Main stream and Third stream at 4MP (Main stream +Third stream <=34fps, 2nd stream off) |
| AUDIO COMPRESSION | G.711a/ G.711Mu/AAC/G.726 | |
| AUDIO STREAM | Full duplex, simplex | |
| SUPPORTED WEB BROWSERS | IE11/Chrome (with application)/Firefox (earlier than 52.0 version) | |
| SUPPORTED OS | Windows® 7 32-bit/64-bit; Windows® 10 32-bit/64-bit | |
| SUPPORTED PROTOCOLS* | HTTP; HTTPS; TCP; ARP; RTSP; RTP; UDP; SMTP; FTP; DHCP; DNS; DDNS; PPPOE; IPv4/v6; QoS; UPnP; NTP; Bonjour; 802.1x; Multicast; ICMP; SNMP | |
| COMPATIBILITY | ONVIF Profile S, G and Q | |
| MAXIMUM USERS ACCESS | 20 users | |
| SECURITY | User account and password protection HTTPS, IP Filter, IEEE 802.1x, Digest authentication, User access log, TLS1.2, AES-256, SSH/Telnet closed, FTP disabled, PCI-DSS compliance, Hardware chipset for private key | |
| HEAT MAP | H4L2GR1V: Support | |
| BUILT-IN ALARM & EVENT | EVENT TYPE | H4W2GR1V, H4W4GR1V: Motion Detection/Video Tampering/Face Detection/SD Card Error/SD Card Capacity Warning/Audio Detection/Object Abandoned/Object Missing/Tripwire/Intrusion H4L2GR1V: Motion Detection/Video Tampering/Face Detection/SD Card Error/SD Card Capacity Warning/Audio Detection/Object Abandoned/Object Missing/People counting |
| | EVENT LINKAGE | Recording on SD card, Relay output, Email, Snapshot |
| | EVENT OUTPUT | ONVIF, ISOM |
| UPLOADABLE VIDEO ANALYTICS (H4L2GR1V ONLY) | BASIC | Trigger line/Intrusion/Loitering available now. (Please download from www.honeywellvideo.com. Free of Charge, but please email to VALicensing@Honeywell.com to get license.) |
| | ADVANCED LICENSED ANALYTICS | IntrusionTrace/LoiterTrace for advanced applications coming soon. (Need to purchase separately) |
| | ANALYTICS OUTPUT | ISOM event output, Metadata |
| MICRO SD | microSDHC Capacity Max 32 GB microSDXC Capacity Max 128 GB | |

| | |
|----------------------------------|---|
| MICRO SD FUNCTION | <ul style="list-style-type: none"> • Event trigger recording • Continuous and scheduled recording • Automatic recording when network fails |
| LANGUAGES SUPPORTED | English, Arabic, Czech, Dutch, French, German, Italian, Japanese, Korean, Polish, Portuguese, Russian, Simplified Chinese, Spanish, Turkish |
| ELECTRICAL | |
| POWER SUPPLY | PoE+ (802.3at) Class 4/12 VDC/24 VAC |
| LONG DISTANCE POE SUPPORT | 3X PoE (300m @100Mbps) |
| AC FREQUENCY | 50/60 Hz |
| POWER CONSUMPTION | H4W2GR1V: Max 22W H4L2GR1V: Max 20.5W H4W4GR1V: Max 15W |
| AUXILIARY POWER SUPPLY | 2.0W, DC12V (+/-5%) |
| MECHANICAL | |
| DIMENSIONS | 6.2" x 4.6" (159.0 x 118.0 mm) |
| WEIGHT | H4W2GR1V: Product weight: 2.46lb (1117g) Package Weight: 4.40lb (1994g) H4L2GR1V: Product weight: 2.49lb (1130g) Package Weight: 4.42lb (2007g) H4W4GR1V: Product weight: 2.47lb (1119g) Package Weight: 4.40lb (1997g) |
| CONSTRUCTION | Die-cast aluminum housing with powder coat |
| CONSTRUCTION COLOUR | RAL 9003 (White) |


| | |
|------------------------------|--|
| ENVIRONMENTAL | |
| OPERATING TEMPERATURE | -40°F to 140°F (-40°C to 60°C) |
| RELATIVE HUMIDITY | 0% to 95%, non-condensing |
| GORE VENTS | Yes |
| INGRESS PROTECTION | IP 67 |
| IMPACT RESISTANCE | IK10 |
| HEATER, FAN OPTION | Heater, Fan |
| REGULATORY | |
| EMISSIONS | FCC Part 15, CE (EN 55032); Complies with RCM (AS/NZS) |
| IMMUNITY | CE (EN 50130-4) |
| SAFETY | North America UL Listed to UL/CSA 60950-1, CE (EN 60950-1); North America UL Listed to UL/CSA 60950-22, CE (EN 60950-22) |
| ROHS | EN50581 |

* Some development may be required in specific user cases to support some of these protocols in the field as they mature over time.

** ADPRO® IntrusionTrace™ and ADPRO® LoiterTrace™ are Xtralis® video content analytics products. Additional license purchase(s) required. See <http://www.xtralis.com/analytics> for more information.

Network TDN Low-Light WDR 2MP/4MP IR Rugged Dome

RECOMMENDED ACCESSORIES

| | |
|---|---|
| SYSTEM INTEGRATION | |
| <p>ONVIF support and open API software integration. Refer to www.onvif.org for the ONVIF specification and the Honeywell Open Technology Alliance website (http://www.security.honeywell.com/hota/) to learn more about our open and integrated solutions.</p> |  |

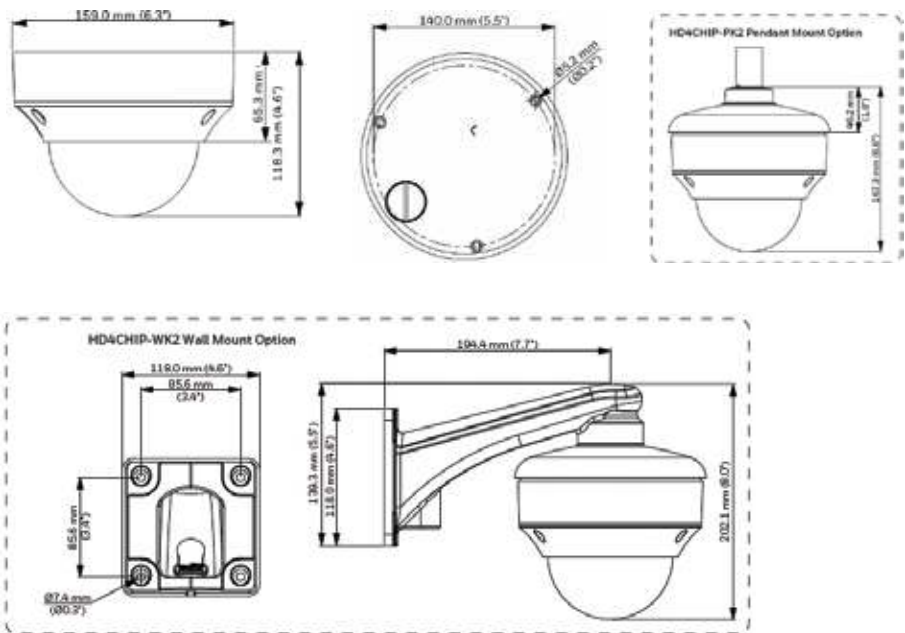
| | | |
|---------------------------|---|-----------------------------|
| HOUSING AND MOUNTS | | |
| HB4G-PM |  | Pole Mount Adapter |
| HB34G-CM |  | Corner Mount Adapter |
| HD4CHIP-PK2 |  | Pendant Mount Adapter, NPT |
| H4G-PK |  | Pendant Mount Adapter, G1.5 |
| HD4CHIP-WK2 |  | Wall Mount Bracket |
| H4G-CB |  | Replacement Dome (Clear) |
| H4G-SB |  | Replacement Dome (Smoke) |
| HPOE3X |  | 3X Long Distance POE Switch |
| HLR1001 |  | IP over Coax Converter |

Network TDN Low-Light WDR 2MP/4MP IR Rugged Dome

ORDERING

| | |
|----------|--|
| H4W2GR1V | Network TDN Low Light WDR IR Outdoor Dome Camera, 1/2.8" 2 Megapixel progressive scan CMOS, 2.7-13.5 mm MFZ, 4 IR LEDs, PoE+, H.265. |
| H4L2GR1V | Network TDN Intelligent Ultra WDR IR Outdoor Dome Camera, 1/2.8" 2 Megapixel progressive scan CMOS, 2.7-12 mm MFZ, 4 IR LEDs, PoE+, H.265. |
| H4W4GR1V | Network TDN WDR IR Outdoor Dome Camera, 1/3" 4 Megapixel progressive scan CMOS, 2.7-13.5 mm MFZ, 4 IR LEDs, PoE+, H.265. |

DIMENSIONS*



For more information

www.honeywellvideo.com

Honeywell Security and Fire

2700 Blankenbaker Pkwy, Suite 150

Louisville, KY 40299

1.800.323.4576

www.honeywell.com

ONVIF and the ONVIF logo are trademarks of ONVIF Inc. Honeywell reserves the right, without notification, to make changes in product design or specifications.

L/H4XXGRXVD/D | 06/18
© 2018 Honeywell International Inc.

Honeywell