

Indoor/Outdoor Mounts and Accessories

Honeywell's Performance Series mounts and accessories provide a range of installation options for the Honeywell Performance Series IP cameras and Performance Series HQA cameras, including junction box, wall, pole, and corner mounts.

The mounts provide easy cable routing with no exposed wiring, and the cameras can be installed, adjusted, and tested without repositioning the housing. All of the mounts and accessories are suitable for indoor or outdoor use.

The junction boxes, and pole mount are constructed of die-cast aluminum. The corner mount adapter is made of SECC steel. The HEJB junction box is made of die-cast aluminum and SECC steel. All of the mounts and accessories are powder coated to match the finish of the camera.

Market Opportunities

Honeywell's Performance Series mounts and accessories provide excellent value at an attractive price, featuring simple, clean lines, and rugged construction for a wide range of mounting options.



HQA-BB1
Junction Box



HQA-WK/HQA-WKB
Wall Mounts



HQA-BB2/HQA-BB2G
Junction Boxes



HQA-WK2/HQA-WK2G
Wall Mounts



HQA-BB3/HQA-BB3G
Junction Boxes



HQA-PM2/HQA-PM2B
Pole Mount



HQA-BB4
Junction Box



HB34S2-CM /HB34S2-CM
Corner Mount



HQA-PK
Pendant Mount Cap



HQA-RS
Rain Shield Bracket



HQA-BB5
Junction Box



HBS2-BB
Junction Box



HQA-CB Ceiling
Mount Bracket



HQA-CBE Ceiling
Mount Extend Bracket



HQA-IC
In-Ceiling Bracket



HEJB
Junction Box

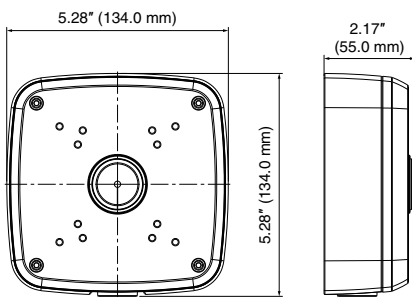
Indoor/Outdoor Mounts and Accessories

FEATURES AND BENEFITS

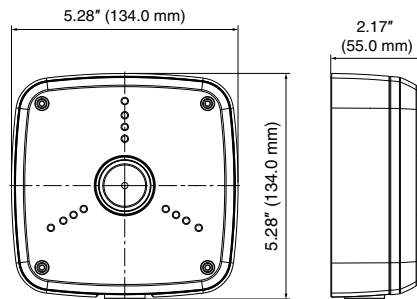
| DESCRIPTION | JUNCTION BOX | | | | | | | | | WALL MOUNT | | | | POLE MOUNT | | CORNER MOUNT | | CEILING MOUNT | | | PENDENT MOUNT | RAIN SHEILD | |
|----------------------------------|--------------|---------|----------|---------|----------|---------|---------|---------|------|------------|---------|---------|----------|------------|----------|--------------|------------|---------------|--------|---------|---------------|-------------|---|
| | HQA-BB1 | HQA-BB2 | HQA-BB2G | HQA-BB3 | HQA-BB3G | HQA-BB4 | HQA-BB5 | HBS2-BB | HEJB | HQA-WK | HQA-WKB | HQA-WK2 | HQA-WK2G | HQA-PM2 | HQA-PM2B | HB34S2-CM | HB34S2-CMB | HQA-IC | HQA-CB | HQA-CBE | HQA-PK | HQA-RS | |
| LOW PROFILE, CONTEMPORARY DESIGN | ✓ | ✓ | ✓ | ✓ | ✓ | ✓ | ✓ | ✓ | ✓ | ✓ | ✓ | ✓ | ✓ | ✓ | ✓ | ✓ | ✓ | ✓ | ✓ | ✓ | ✓ | ✓ | ✓ |
| ECONOMICALLY PRICED | ✓ | ✓ | ✓ | ✓ | ✓ | ✓ | ✓ | ✓ | ✓ | ✓ | ✓ | ✓ | ✓ | ✓ | ✓ | ✓ | ✓ | ✓ | ✓ | ✓ | ✓ | ✓ | ✓ |
| EASY CABLE FEED-THROUGH | ✓ | ✓ | ✓ | ✓ | ✓ | ✓ | ✓ | ✓ | ✓ | ✓ | ✓ | ✓ | ✓ | ✓ | ✓ | ✓ | ✓ | ✓ | ✓ | ✓ | ✓ | ✓ | ✓ |
| DIE-CAST ALUMINUM | ✓ | ✓ | ✓ | ✓ | ✓ | ✓ | ✓ | ✓ | ✓ | ✓ | ✓ | ✓ | ✓ | ✓ | ✓ | | | ✓ | ✓ | ✓ | ✓ | ✓ | ✓ |
| SECC STEEL | | | | | | | | ✓ | | | | | | | | ✓ | ✓ | | | | | | |
| OFF-WHITE POWDER FINISH | ✓ | ✓ | | ✓ | | ✓ | ✓ | ✓ | ✓ | ✓ | | ✓ | | ✓ | | ✓ | | ✓ | ✓ | | ✓ | ✓ | ✓ |
| GREY POWDER FINISH | | | ✓ | | ✓ | | | | | | ✓ | | ✓ | | ✓ | | ✓ | | | ✓ | | | |
| INDOOR/OUTDOOR | ✓ | ✓ | ✓ | ✓ | ✓ | ✓ | ✓ | ✓ | ✓ | ✓ | ✓ | ✓ | ✓ | ✓ | ✓ | ✓ | ✓ | ✓ | ✓ | ✓ | ✓ | ✓ | ✓ |

DIMENSIONS

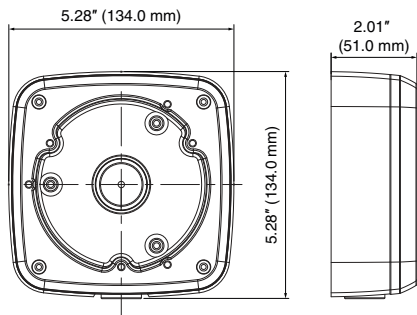
HQA-BB1



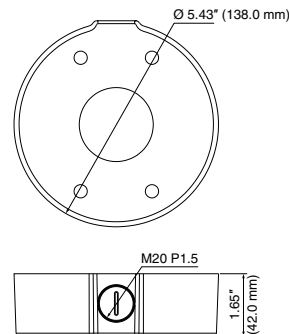
HBS2-BB



HQA-BB2/HQA-BB2G



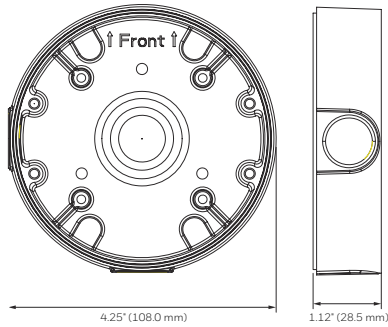
HEJB



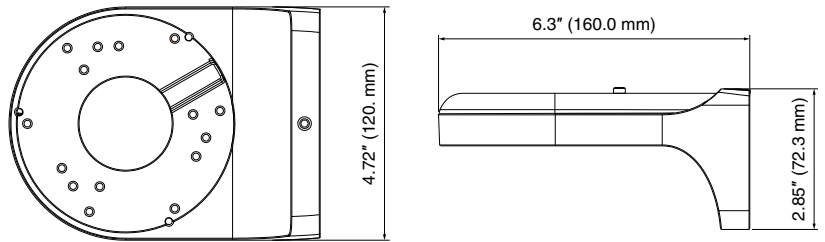
Indoor/Outdoor Mounts and Accessories

DIMENSIONS

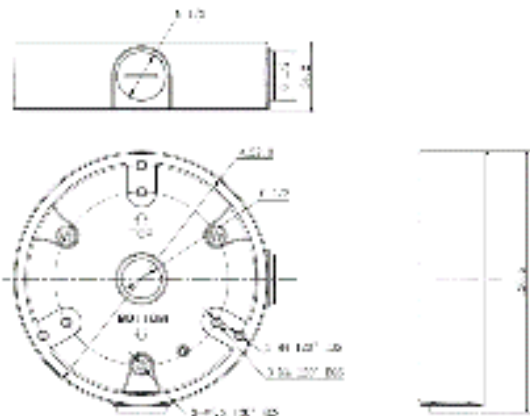
HQA-BB3/HQA-BB3G



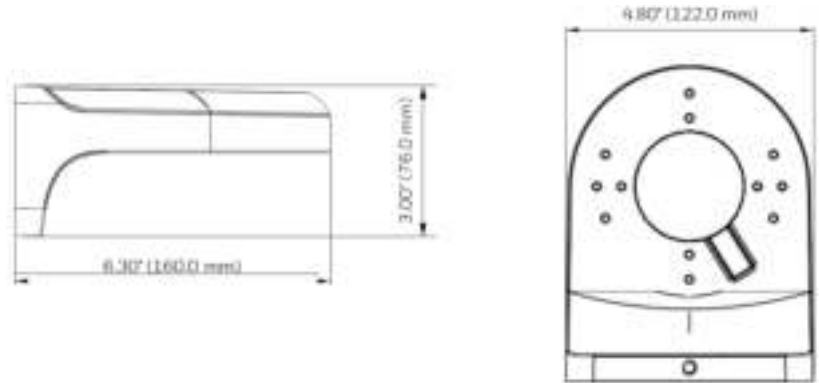
HQA-WK/HQA-WKB



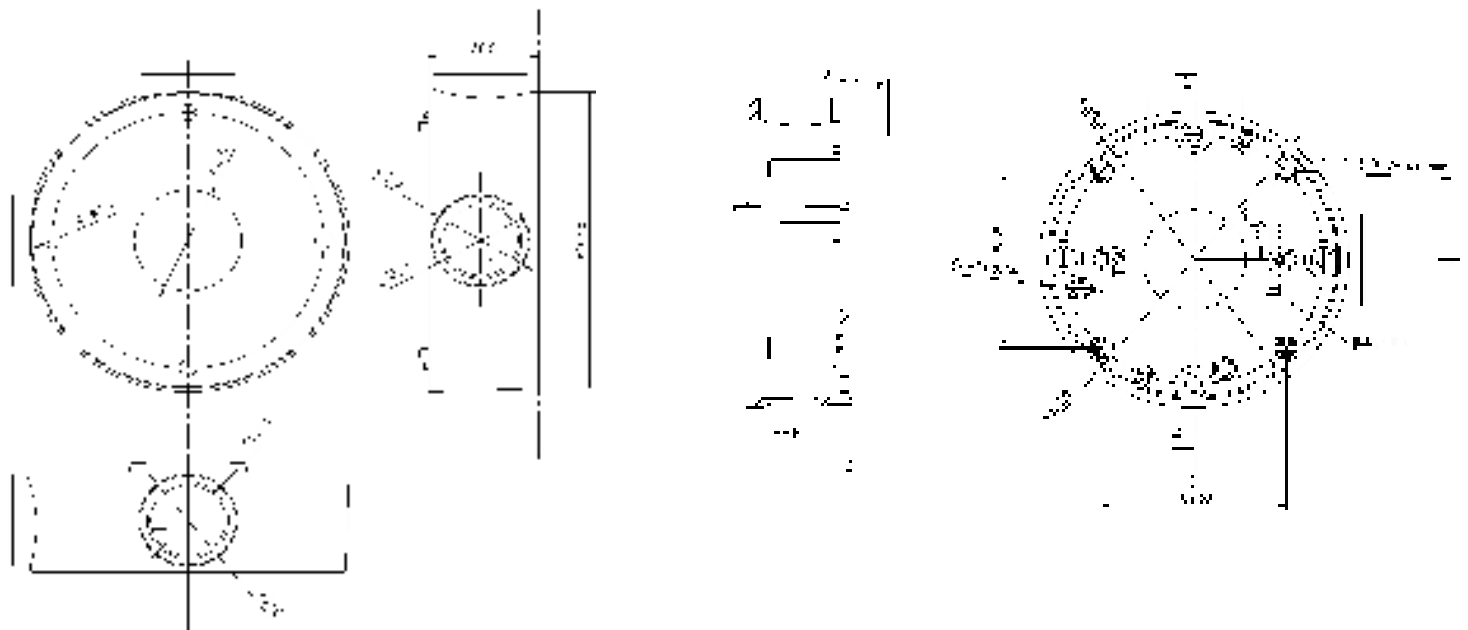
HQA-BB4



HQA-WK2/HQA-WK2G



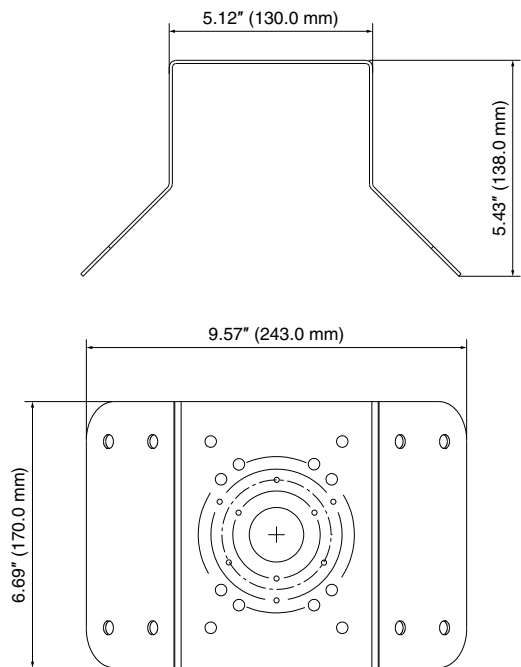
HQA-BB5



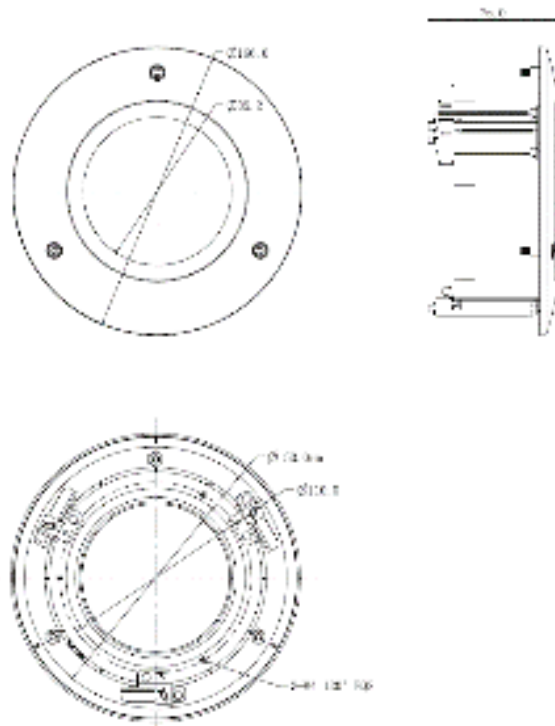
Indoor/Outdoor Mounts and Accessories

DIMENSIONS

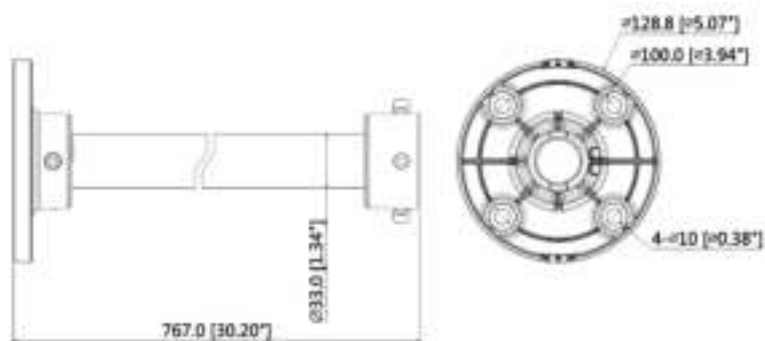
HB34S2-CM/HB34S2-CMB



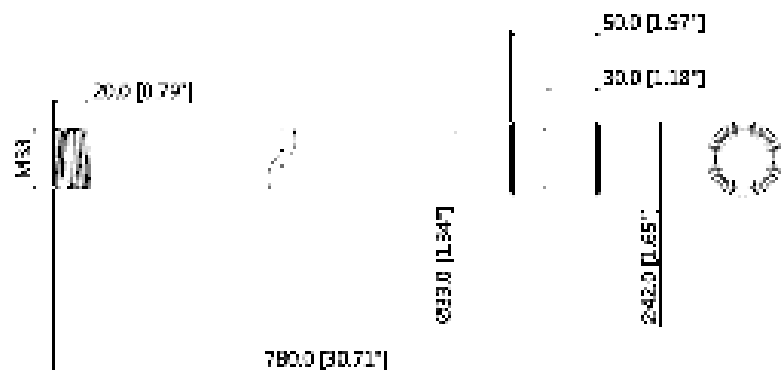
HQA-IC



HQA-CB



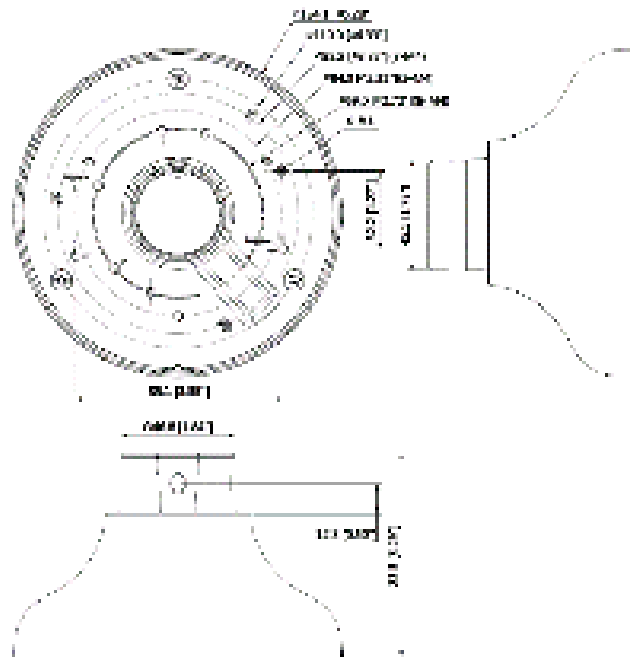
HQA-CBE



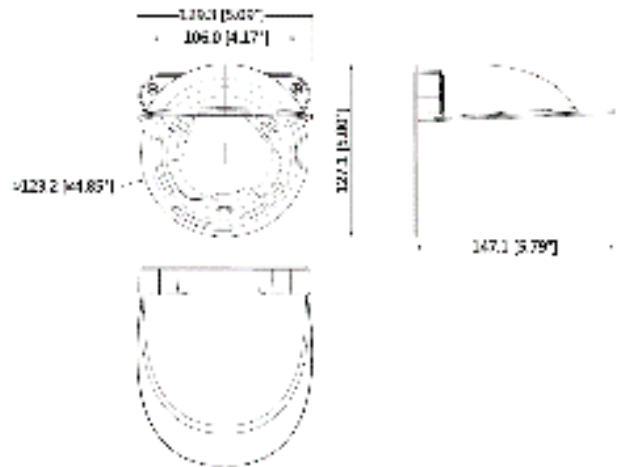
Indoor/Outdoor Mounts and Accessories

DIMENSIONS

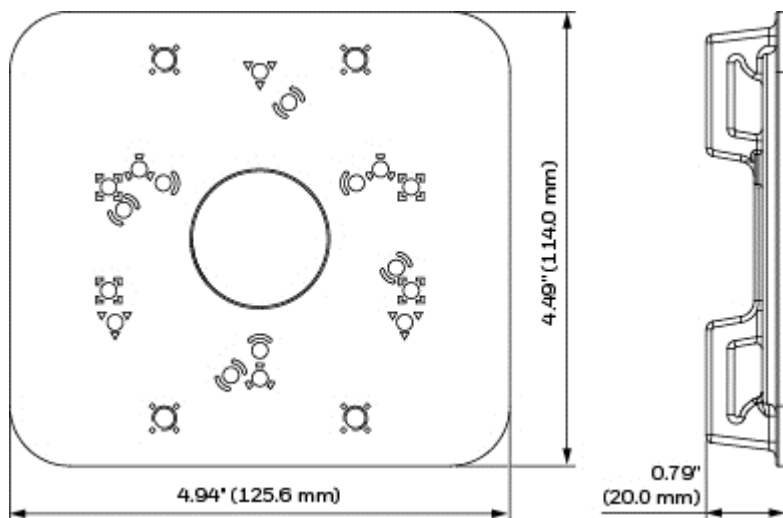
HQA-PK



HQA-RS



HQA-PM2/HQA-PM2B



Indoor/Outdoor Mounts and Accessories

COMPATIBLE HQA AND IP CAMERAS

| MOUNTS | COMPATIBLE PERFORMANCE HQA CAMERAS | MOUNTS | COMPATIBLE PERFORMANCE IP CAMERAS |
|----------------------------------|---|----------------------------------|---|
| HQA-BB1 | HB74HD2, HD30HD1, HD30HD2, HB74HD4 | HQA-BB1 | HBW2PR1, HBW4PR1, HBD8PR1 |
| HQA-BB2/G | HD31HD2, HD73HD1, HD74HD2, HD231HD2, HD274HD2, HD72HD4, HD274HD4 | HQA-BB2/G | H4D3PRV2, H4D2PRV3, H4W2PRV2, H4W4PRV2, H4W4PRV3, HEW2PR2, HEW4PR2, H4D8PR1, HFD5PR1 |
| HQA-BB3/G | HD30HD4 | HQA-BB3/G | H2W2PRV3, H2W4PRV3, HEW2PR1, HEW2PRW1, HEW3PR3, HEW4PRW3, HED8PR1, H2W2PC1M, H2W4PER3, H2W2PER3, HEW4PER3B, HEW2PER3 |
| HQA-BB4 | HD73HD1, HD41XD2, HD274HD2, HD74HD2, HD42XD2, HB276HD4, HD231HD2, HD31HD2, HE42XD2, HE42XD2G, H4D42HD8 | HQA-BB4 | H4D3PRV2, H4W4PRV2, H4W2PRV2, H4W4PER2, HED1PR3, HED3PR3, HEW4PR2, HEW2PR2, HED2PER3, HEW4PER3, HEW4PER2, HEW2PER2, H4W2PER2, H4W8PR2, H4W2PER3 |
| HQA-BB5 | No compatible HQA cameras | HQA-BB5 | HBW4PGR1 |
| HBS2-BB | HB74HD1, HB75HD1, HB76HD2, HB276HD2, HD29HD1, HD31HD2, HD231HD2, HB276HD4 | HBS2-BB | HED1PR3, HED3PR3, HBD1PR1, HBD3PR1, HBD3PR2, HBW2PR2, HBW4PR2, HBW2PER2, HBW8PR2 |
| HEJB | HB74HD1, HD31HD2, HD231HD2 | HEJB | HED1PR3, HED3PR3, HBD1PR1, HBD3PR1 |
| HQA-PM2/ HQA-PM2B | All HQA cameras (with a compatible junction box) | HQA-PM2/ HQA-PM2B | HED8PR1, HBD8PR1, H4D8PR1, HFD5PR1, H2W2PC1M, HEW4PER2, HEW4PER2B, HEW2PER2, H4W2PER2, H2W4PER3, H2W2PER3, H4W8PR2, HEW4PER3B, HEW2PER3, H4W2PER3, HBW2PER1, HBW2PER2, HBW8PR2 (with a compatible junction box) |
| HB34S2- CM/ HB34S2- CMB | All HQA cameras (with a compatible junction box) | HB34S2- CM/ HB34S2- CMB | H2W2PRV3, H2W4PRV3, H4W2PRV2, H4W4PRV2, H4W4PRV3, HBW2PR1, HBW4PR1, HBW2PR2, HBW4PR2, HEW2PR1, HEW2PRW1, HEW2PR2, HEW4PR2, HEW4PR3, HEW4PRW3, HED8PR1, HBD8PR1, H4D8PR1, HBW2PER1, HBW2PER2, HBW8PR2 (with a compatible junction box) |
| HQA-WK/ HQA-WKB | HD29HD1, HD31HD2, HD73HD1, HD74HD2, HD231HD2, HD274HD2, HD274HD4, HD72HD4 | HQA-WK/ HQA-WKB | HED1PR3, HED3PR3, H4D3PRV2, H4D3PRV3, H4W2PRV2, H4W4PRV2, H4W4PRV3, HEW2PR2, HEW4PR2, H4D8PR1, HFD5PR1, HEW4PER2, HEW4PER2B, HEW2PER2, H4W2PER2, H4W8PR2, H4W2PER3 |
| HQA-WK2/G | HD30HD1, HD30HD2 | HQA-WK2/G | H2W2PRV3, H2W4PRV3, HEW2PR1, HEW2PRW1, HEW4PR3, HEW4PRW3, HED8PR1, H2W2PC1M, H2W4PER3, H2W2PER3, HEW4PER3B, HEW2PER3 |
| HQA-IC | HD73HD1, HD41XD2, HD274HD2, HD74HD2, HD42XD2, HB276HD4, H4D42HD8 | HQA-IC | H4D3PRV2, H4W4PRV2, H4W2PRV2, H4W4PER2, H4W2PER2, H4W8PR2 |
| HQA-RS | HD30XD2, HD72HD4, HD73HD1, HD41XD2, H4D42HD8 | HQA-RS | H4D3PRV3, H4D3PRV2, H2W4PRV3, H2W2PRV3, H4W4PRV3, H4W4PRV2, H4W2PRV2, H4D8PR1, H4W4PER3, H4W4PER2, H4W2PER2, H4W8PR2 |
| HQA-PK* | HD30XD2, HD72HD4, HD73HD1, HD41XD2, HD274HD2, HD74HD2, HD42XD2, HB276HD4, HD30HD1, HD30HD2, HD29HD1, HE41XD2, HE30XD2, HE30XD2G, HD30HD4, HD231HD2, H4D42HD8HD31HD2, HE42XD2, HE42XD2G, H4D42HD8 (with compatible HQA-CB) | HQA-PK* | H4D3PRV3, H4D3PRV2, H2W4PRV3, H2W2PRV3, H4W4PRV3, H4W4PRV2, H4W2PRV2, H4D8PR1, H4W4PER3, H4W4PER2, HED1PR3, HED3PR3, HEW4PR3, HEW2PR1, HEW4PRW3, HEW2PRW1, HEW4PR2, HEW2PR2, HED8PR1, HED2PER3, HEW4PER3, H2W2PC1M, HEW4PER2, HEW4PER2B, HEW2PER2, H4W2PER2, H2W4PER3, H2W2PER3, H4W8PR2, HEW4PER3B, HEW2PER3, H4W2PER3 (with compatible HQA-CB) |
| HQA-CB* | HD30XD2, HD72HD4, HD73HD1, HD41XD2, HD274HD2, HD74HD2, HD42XD2, HB276HD4, HD30HD1, HD30HD2, HD29HD1, HE41XD2, HE30XD2, HE30XD2G, HD30HD4, HD231HD2, HD31HD2, HE42XD2, HE42XD2G, H4D42HD8 (with compatible HQA-PK) | HQA-CB* | H4D3PRV3, H4D3PRV2, H2W4PRV3, H2W2PRV3, H4W4PRV3, H4W4PRV2, H4W2PRV2, H4D8PR1, H4W4PER3, H4W4PER2, HED1PR3, HED3PR3, HEW4PR3, HEW2PR1, HEW4PRW3, HEW2PRW1, HEW4PR2, HEW2PR2, HED8PR1, HED2PER3, HEW4PER3, H2W2PC1M, HEW4PER2, HEW4PER2B, HEW2PER2, H4W2PER2, H2W4PER3, H2W2PER3, H4W8PR2, HEW4PER3B, HEW2PER3, H4W2PER3 (with compatible HQA-PK) |
| HQA-CBE | (Used with HQA-CB together) | HQA-CBE | (Used with HQA-CB together) |

Indoor/Outdoor Mounts and Accessories

SPECIFICATIONS

| MECHANICAL | | | |
|--|-------------------|----------------------------------|---|
| MODEL NO. | UNIT WEIGHT | CONSTRUCTION | DIMENSIONS |
| HQA-BB1 | 1.1 lb (0.5 kg) | Die-cast aluminum | 5.28 x 5.28 x 2.17 in. (134.0 x 134.0 x 55.0 mm) |
| HQA-BB2/HQA-BB2G | 1.32 lb (0.6 kg) | Die-cast aluminum | 5.28 x 5.28 x 2.01 in. (134.0 x 134.0 x 51.0 mm) |
| HQA-BB3/HQA-BB3G | 1.08 lb (0.49 kg) | Die-cast aluminum | 6.30 x 4.80 x 3.00 in. (160.0 x 122.0 x 76.0 mm) |
| HQA-BB4 | 0.53 lb (0.24 kg) | Aluminum | ø 4.80 x 1.35 in. (ø 122.0x34.2 mm) |
| HQA-BB5 | 0.55 lb (0.25 kg) | Aluminum Alloy | ø 3.48 in. (ø 88.5 mm) |
| HBS2-BB | 1.1 lb (0.5 kg) | Die-cast aluminum | 5.28 x 5.28 x 2.17 in. (134.0 x 134.0 x 55.0 mm) |
| HEJB | 0.84 lb (0.38 kg) | Die-cast aluminum and SECC steel | ø 5.43 x 1.65 in. (ø 138.0 x 42.0 mm) |
| HQA-PM2 (requires a compatible junction box) | 0.6 lb (0.27 kg) | Die-cast aluminum | 4.94 x 4.49 x 0.79 in. (125.6 x 114.0 x 20.0 mm) |
| HQA-PM2B | 0.6 lb (0.27 kg) | Aluminum & SUS304 | 4.94 x 4.49 x 0.79 in. (125.6 x 114 x 20 mm) |
| HB34S2-CM (requires a compatible junction box) | 3.75 lb (1.7 kg) | SECC steel | 9.57 x 6.69 x 5.43 in. (243.0 x 170.0 x 138.0 mm) |
| HB34S2-CMB | 3.75 lb (1.7 kg) | SECC | 9.57 x 6.69 x 5.43 in. (243 x 170 x 138mm) |
| HQA-WK | 2.2 lb (1.0 kg) | Die-cast aluminum and ABS | 4.72 x 2.85 x 6.3 in. (120.0 x 72.3 x 160.0 mm) |
| HQA-WKB | 1.1 lb (0.5 kg) | Aluminum & SECC | 6.30 x 4.80 x 2.99 in. (160 x 122 x 76 mm) |
| HQA-WK2/HQA-WK2G | 0.35 lb (0.16 kg) | Die-cast aluminum | ø 4.25 x 1.12 in. (ø 108.0 x 28.5 mm) |
| HQA-IC | 0.71 lb (0.32 kg) | SECC & PC | ø 6.54 x 2.98 in. (ø 166.0x75.8 mm) |
| HQA-RS | 0.55 lb (0.25 kg) | Aluminum & SGCC | 5.09 x 5 x 5.79 in. (129.3 x 127 x 147 mm) |
| HQA-PK | 0.64 lb (0.29 kg) | Aluminum | ø 5.28 x 3.29 in. (ø 134.1 x 83.5 mm) |
| HQA-CB | 1.98 lb (0.9 kg) | Aluminum | ø 5.07 x 30.2 in. (ø 128.8 x 767.0 mm) |
| HQA-CBE | 1.43 lb (0.65 kg) | Aluminum | ø 1.65 x 30.71 in. (ø 42 x 780 mm) |

ORDERING

| | | | |
|-----------|---------------------------------|------------|---|
| HQA-BB1 | Junction Box, Off-White | HB34S2-CMB | Corner Mount Adapter, Gray |
| HQA-BB2 | Junction Box, Off-White | HQA-WK | Wall Mount, Off-White |
| HQA-BB2G | Junction Box, Grey | HQA-WKB | Wall Mount Bracket, Gray |
| HQA-BB3 | Junction Box, Off-White | HQA-WK2 | Wall Mount, Off-White |
| HQA-BB3G | Junction Box, Grey | HQA-WK2G | Wall Mount, Grey |
| HQA-BB4 | Junction Box, Off-White | HQA-IC | In-Ceiling Bracket, Off-White |
| HQA-BB5 | Junction Box, Off-White | HQA-RS | Rain Shield Bracket, Off-White |
| HBS2-BB | Junction Box, Off-White | HQA-PK | Pendant Mount Cap, Off-White |
| HEJB | Junction Box, Off-White | HQA-CB | Ceiling Mount Bracket, Off-White |
| HQA-PM2 | Pole Mount Adapter, Off-White | HQA-CBE | Ceiling Mount Extend Bracket, Off-White |
| HQA-PM2B | Pole Mount Adapter, Gray | | |
| HB34S2-CM | Corner Mount Adapter, Off-White | | |

- A compatible junction box is required when installing to either the the HQA-PM2 pole mount or the HB34S2-CM corner mount.
- The HQA-BB4 must be used when installing the camera to HQA-PM2 or HQA-PM2B, vice versa.
- The HQA-PK must be used when installing the camera to HQA-CB.
- The HQA-CBE must be used with HQA-CB together.

For more information

www.honeywellvideo.com

Honeywell Security

2700 Blankenbaker Pkwy, Suite 150
Louisville, KY 40299
1.800.323.4576
www.honeywell.com

Honeywell reserves the right, without notification, to make changes in product design or specifications.

HSV-HQA MOUNTS-02-US(1118)DS-Y
© 2018 Honeywell International Inc.

Honeywell