

# Indoor/Outdoor Mounts and Accessories

Honeywell's Performance Series mounts and accessories provide a range of installation options for the Honeywell Performance Series IP cameras and Performance Series HQA cameras, including junction box, wall, pole, and corner mounts.

The mounts provide easy cable routing with no exposed wiring, and the cameras can be installed, adjusted, and tested without repositioning the housing. All of the mounts and accessories are suitable for indoor or outdoor use.

The junction boxes, and pole mount are constructed of die-cast aluminum. The corner mount adapter is made of SECC steel. The HEJB junction box is made of die-cast aluminum and SECC steel. All of the mounts and accessories are powder coated to match the finish of the camera.

## Market Opportunities

Honeywell's Performance Series mounts and accessories provide excellent value at an attractive price, featuring simple, clean lines, and rugged construction for a wide range of mounting options.



HQA-BB1  
Junction Box



HQA-WK/HQA-WKB  
Wall Mounts



HQA-BB2/HQA-BB2G  
Junction Boxes



HQA-WK2/HQA-WK2G  
Wall Mounts



HQA-BB3/HQA-BB3G  
Junction Boxes



HQA-PM2/HQA-PM2B  
Pole Mount



HQA-BB4  
Junction Box



HB34S2-CM /HB34S2-CM  
Corner Mount



HQA-PK  
Pendant Mount Cap



HQA-RS  
Rain Shield Bracket



HQA-BB5  
Junction Box



HBS2-BB  
Junction Box



HQA-CB Ceiling  
Mount Bracket



HQA-CBE Ceiling  
Mount Extend Bracket



HQA-IC  
In-Ceiling Bracket



HEJB  
Junction Box

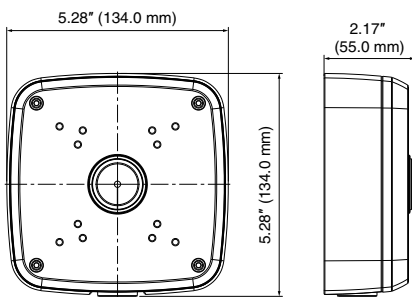
# Indoor/Outdoor Mounts and Accessories

## FEATURES AND BENEFITS

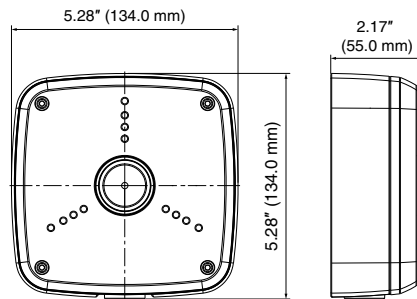
DESCRIPTION	JUNCTION BOX									WALL MOUNT				POLE MOUNT		CORNER MOUNT		CEILING MOUNT			PENDENT MOUNT	RAIN SHEILD	
	HQA-BB1	HQA-BB2	HQA-BB2G	HQA-BB3	HQA-BB3G	HQA-BB4	HQA-BB5	HBS2-BB	HEJB	HQA-WK	HQA-WKB	HQA-WK2	HQA-WK2G	HQA-PM2	HQA-PM2B	HB34S2-CM	HB34S2-CMB	HQA-IC	HQA-CB	HQA-CBE	HQA-PK	HQA-RS	
LOW PROFILE, CONTEMPORARY DESIGN	✓	✓	✓	✓	✓	✓	✓	✓	✓	✓	✓	✓	✓	✓	✓	✓	✓	✓	✓	✓	✓	✓	✓
ECONOMICALLY PRICED	✓	✓	✓	✓	✓	✓	✓	✓	✓	✓	✓	✓	✓	✓	✓	✓	✓	✓	✓	✓	✓	✓	✓
EASY CABLE FEED-THROUGH	✓	✓	✓	✓	✓	✓	✓	✓	✓	✓	✓	✓	✓	✓	✓	✓	✓	✓	✓	✓	✓	✓	✓
DIE-CAST ALUMINUM	✓	✓	✓	✓	✓	✓	✓	✓	✓	✓	✓	✓	✓	✓	✓			✓	✓	✓	✓	✓	✓
SECC STEEL								✓								✓	✓						
OFF-WHITE POWDER FINISH	✓	✓		✓		✓	✓	✓	✓	✓		✓		✓		✓		✓	✓		✓	✓	✓
GREY POWDER FINISH			✓		✓						✓		✓		✓		✓			✓			
INDOOR/OUTDOOR	✓	✓	✓	✓	✓	✓	✓	✓	✓	✓	✓	✓	✓	✓	✓	✓	✓	✓	✓	✓	✓	✓	✓

## DIMENSIONS

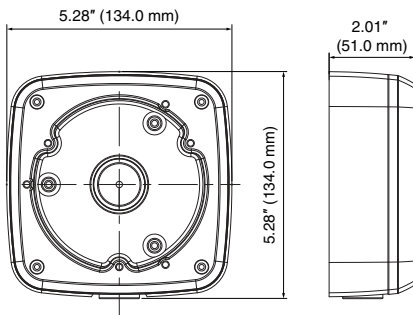
HQA-BB1



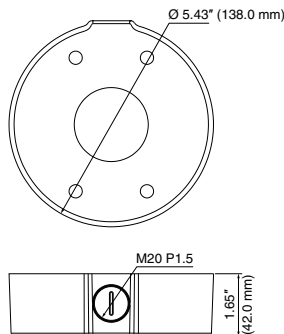
HBS2-BB



HQA-BB2/HQA-BB2G



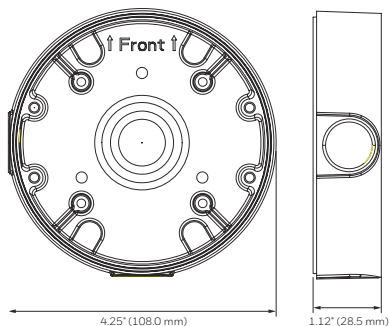
HEJB



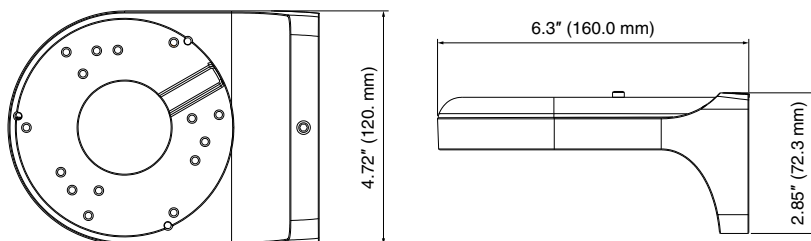
# Indoor/Outdoor Mounts and Accessories

## DIMENSIONS

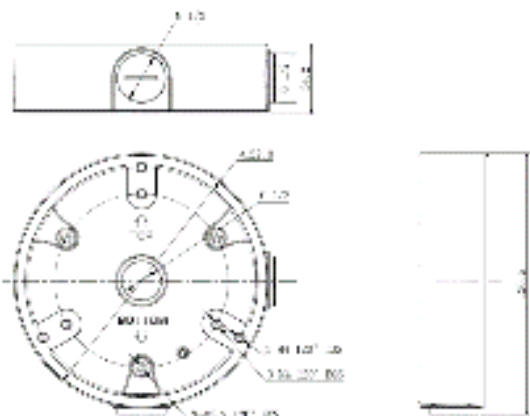
### HQA-BB3/HQA-BB3G



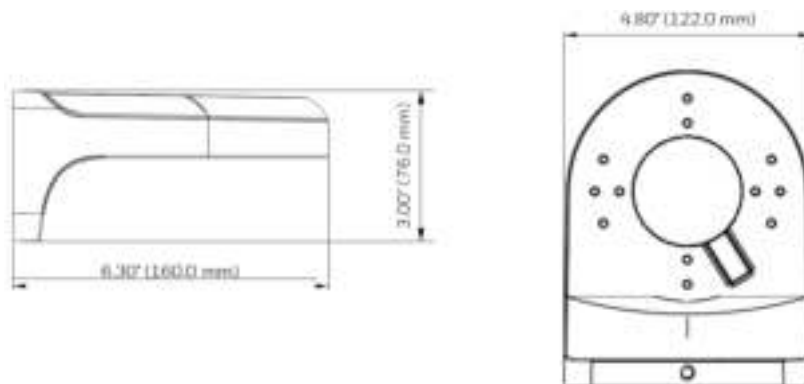
### HQA-WK/HQA-WKB



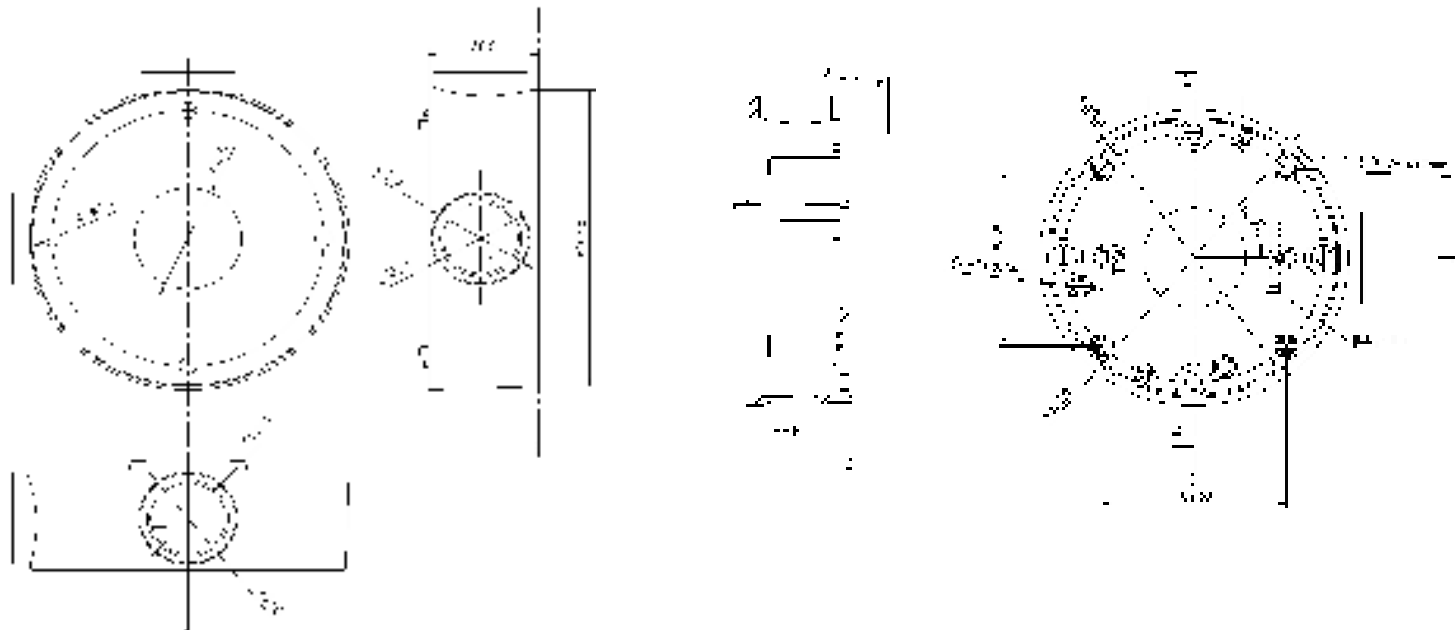
### HQA-BB4



### HQA-WK2/HQA-WK2G



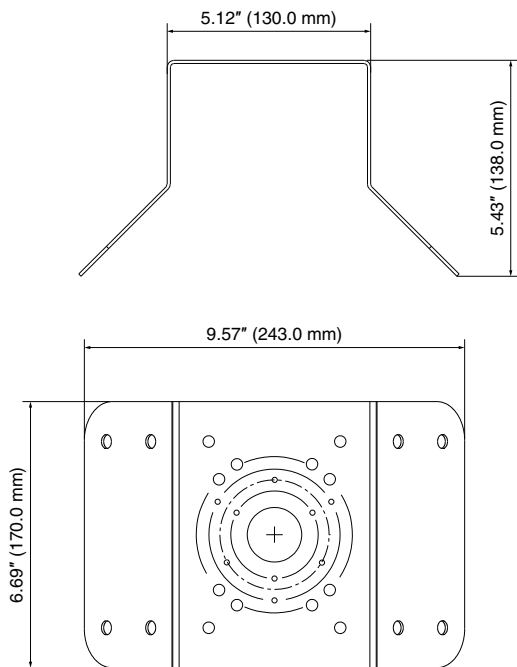
### HQA-BB5



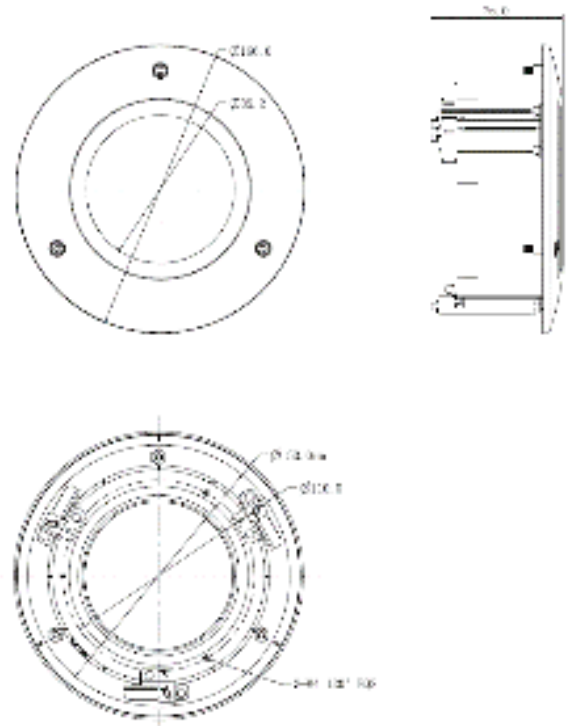
# Indoor/Outdoor Mounts and Accessories

## DIMENSIONS

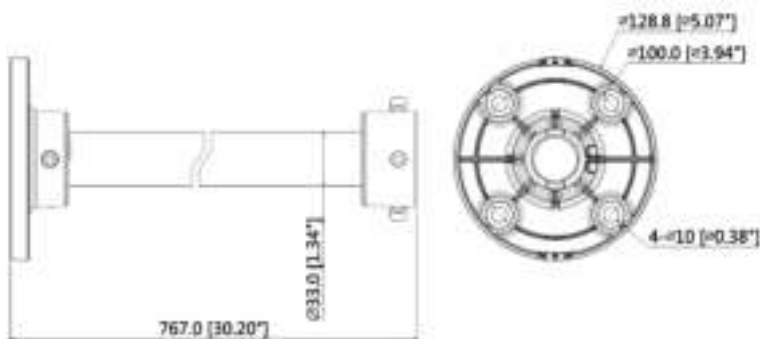
HB34S2-CM/HB34S2-CMB



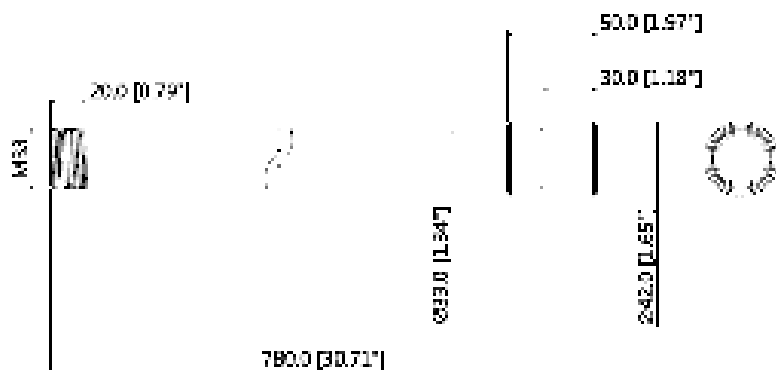
HQA-IC



HQA-CB



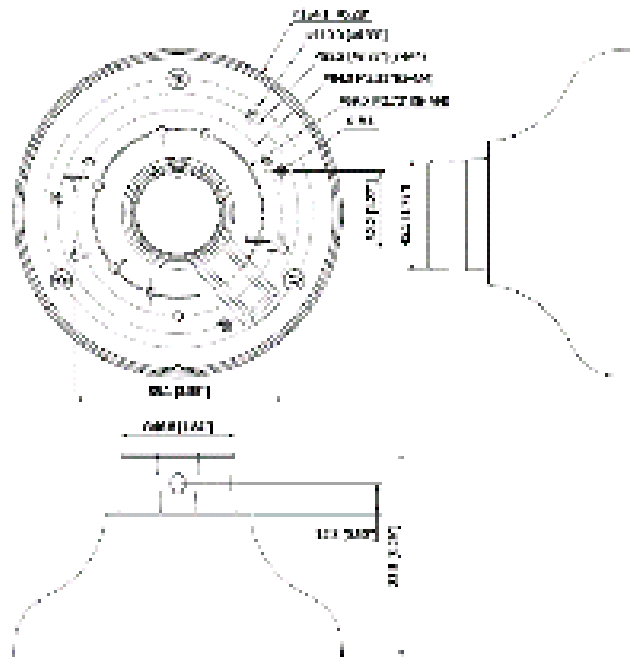
HQA-CBE



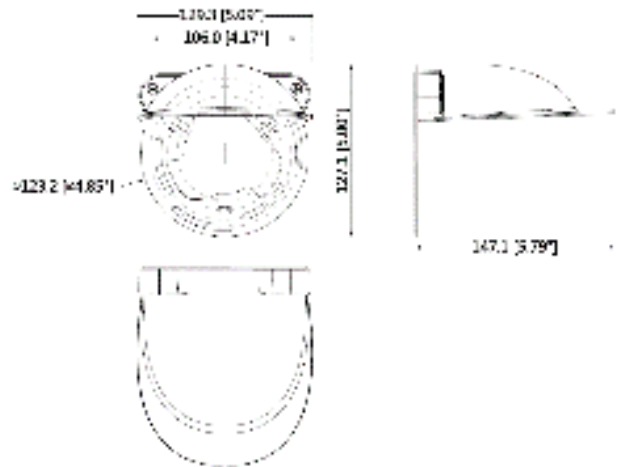
# Indoor/Outdoor Mounts and Accessories

## DIMENSIONS

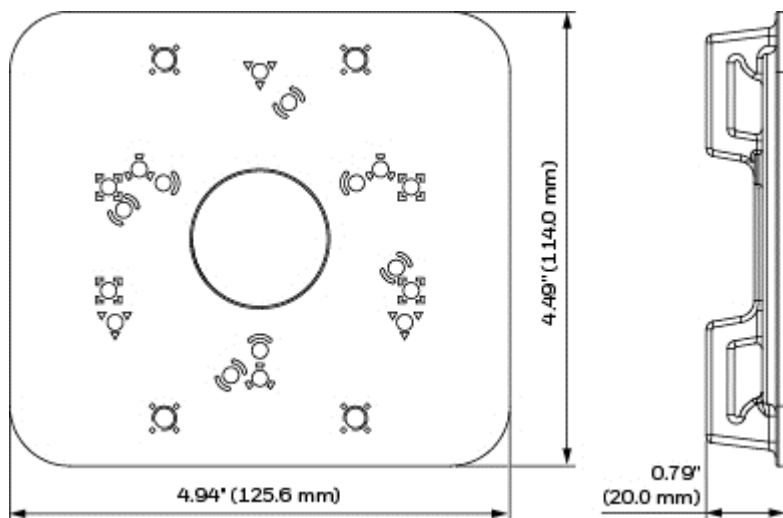
HQA-PK



HQA-RS



HQA-PM2/HQA-PM2B



# Indoor/Outdoor Mounts and Accessories

## COMPATIBLE HQA AND IP CAMERAS

MOUNTS	COMPATIBLE PERFORMANCE HQA CAMERAS	MOUNTS	COMPATIBLE PERFORMANCE IP CAMERAS
<b>HQA-BB1</b>	HB74HD2, HD30HD1, HD30HD2, HB74HD4	<b>HQA-BB1</b>	HBW2PR1, HBW4PR1, HBD8PR1
<b>HQA-BB2/G</b>	HD31HD2, HD73HD1, HD74HD2, HD231HD2, HD274HD2, HD72HD4, HD274HD4	<b>HQA-BB2/G</b>	H4D3PRV2, H4D2PRV3, H4W2PRV2, H4W4PRV2, H4W4PRV3, HEW2PR2, HEW4PR2, H4D8PR1, HFD5PR1
<b>HQA-BB3/G</b>	HD30HD4	<b>HQA-BB3/G</b>	H2W2PRV3, H2W4PRV3, HEW2PR1, HEW2PRW1, HEW3PR3, HEW4PRW3, HED8PR1, H2W2PC1M, H2W4PER3, H2W2PER3, HEW4PER3B, HEW2PER3
<b>HQA-BB4</b>	HD73HD1, HD41XD2, HD274HD2, HD74HD2, HD42XD2, HB276HD4, HD231HD2, HD31HD2, HE42XD2, HE42XD2G, H4D42HD8	<b>HQA-BB4</b>	H4D3PRV2, H4W4PRV2, H4W2PRV2, H4W4PER2, HED1PR3, HED3PR3, HEW4PR2, HEW2PR2, HED2PER3, HEW4PER3, HEW4PER2, HEW2PER2, H4W2PER2, H4W8PR2, H4W2PER3
<b>HQA-BB5</b>	No compatible HQA cameras	<b>HQA-BB5</b>	HBW4PGR1
<b>HBS2-BB</b>	HB74HD1, HB75HD1, HB76HD2, HB276HD2, HD29HD1, HD31HD2, HD231HD2, HB276HD4	<b>HBS2-BB</b>	HED1PR3, HED3PR3, HBD1PR1, HBD3PR1, HBD3PR2, HBW2PR2, HBW4PR2, HBW2PER2, HBW8PR2
<b>HEJB</b>	HB74HD1, HD31HD2, HD231HD2	<b>HEJB</b>	HED1PR3, HED3PR3, HBD1PR1, HBD3PR1
<b>HQA-PM2/ HQA-PM2B</b>	All HQA cameras (with a compatible junction box)	<b>HQA-PM2/ HQA-PM2B</b>	HED8PR1, HBD8PR1, H4D8PR1, HFD5PR1, H2W2PC1M, HEW4PER2, HEW4PER2B, HEW2PER2, H4W2PER2, H2W4PER3, H2W2PER3, H4W8PR2, HEW4PER3B, HEW2PER3, H4W2PER3, HBW2PER1, HBW2PER2, HBW8PR2 (with a compatible junction box)
<b>HB34S2-CM/ HB34S2-CMB</b>	All HQA cameras (with a compatible junction box)	<b>HB34S2-CM/ HB34S2-CMB</b>	H2W2PRV3, H2W4PRV3, H4W2PRV2, H4W4PRV2, H4W4PRV3, HBW2PR1, HBW4PR1, HBW2PR2, HBW4PR2, HEW2PR1, HEW2PRW1, HEW2PR2, HEW4PR2, HEW4PR3, HEW4PRW3, HED8PR1, HBD8PR1, H4D8PR1, HBW2PER1, HBW2PER2, HBW8PR2 (with a compatible junction box)
<b>HQA-WK/ HQA-WKB</b>	HD29HD1, HD31HD2, HD73HD1, HD74HD2, HD231HD2, HD274HD2, HD274HD4, HD72HD4	<b>HQA-WK/ HQA-WKB</b>	HED1PR3, HED3PR3, H4D3PRV2, H4D3PRV3, H4W2PRV2, H4W4PRV2, H4W4PRV3, HEW2PR2, HEW4PR2, H4D8PR1, HFD5PR1, HEW4PER2, HEW4PER2B, HEW2PER2, H4W2PER2, H4W8PR2, H4W2PER3
<b>HQA-WK2/G</b>	HD30HD1, HD30HD2	<b>HQA-WK2/G</b>	H2W2PRV3, H2W4PRV3, HEW2PR1, HEW2PRW1, HEW4PR3, HEW4PRW3, HED8PR1, H2W2PC1M, H2W4PER3, H2W2PER3, HEW4PER3B, HEW2PER3
<b>HQA-IC</b>	HD73HD1, HD41XD2, HD274HD2, HD74HD2, HD42XD2, HB276HD4, H4D42HD8	<b>HQA-IC</b>	H4D3PRV2, H4W4PRV2, H4W2PRV2, H4W4PER2, H4W2PER2, H4W8PR2
<b>HQA-RS</b>	HD30XD2, HD72HD4, HD73HD1, HD41XD2, H4D42HD8	<b>HQA-RS</b>	H4D3PRV3, H4D3PRV2, H2W4PRV3, H2W2PRV3, H4W4PRV3, H4W4PRV2, H4W2PRV2, H4D8PR1, H4W4PER3, H4W4PER2, H4W2PER2, H4W8PR2
<b>HQA-PK*</b>	HD30XD2, HD72HD4, HD73HD1, HD41XD2, HD274HD2, HD74HD2, HD42XD2, HB276HD4, HD30HD1, HD30HD2, HD29HD1, HE41XD2, HE30XD2, HE30XD2G, HD30HD4, HD231HD2, H4D42HD8HD31HD2, HE42XD2, HE42XD2G, H4D42HD8 (with compatible HQA-CB)	<b>HQA-PK*</b>	H4D3PRV3, H4D3PRV2, H2W4PRV3, H2W2PRV3, H4W4PRV3, H4W4PRV2, H4W2PRV2, H4D8PR1, H4W4PER3, H4W4PER2, HED1PR3, HED3PR3, HEW4PR3, HEW2PR1, HEW4PRW3, HEW2PRW1, HEW4PR2, HEW2PR2, HED8PR1, HED2PER3, HEW4PER3, H2W2PC1M, HEW4PER2, HEW4PER2B, HEW2PER2, H4W2PER2, H2W4PER3, H2W2PER3, H4W8PR2, HEW4PER3B, HEW2PER3, H4W2PER3 (with compatible HQA-CB)
<b>HQA-CB*</b>	HD30XD2, HD72HD4, HD73HD1, HD41XD2, HD274HD2, HD74HD2, HD42XD2, HB276HD4, HD30HD1, HD30HD2, HD29HD1, HE41XD2, HE30XD2, HE30XD2G, HD30HD4, HD231HD2, HD31HD2, HE42XD2, HE42XD2G, H4D42HD8 (with compatible HQA-PK)	<b>HQA-CB*</b>	H4D3PRV3, H4D3PRV2, H2W4PRV3, H2W2PRV3, H4W4PRV3, H4W4PRV2, H4W2PRV2, H4D8PR1, H4W4PER3, H4W4PER2, HED1PR3, HED3PR3, HEW4PR3, HEW2PR1, HEW4PRW3, HEW2PRW1, HEW4PR2, HEW2PR2, HED8PR1, HED2PER3, HEW4PER3, H2W2PC1M, HEW4PER2, HEW4PER2B, HEW2PER2, H4W2PER2, H2W4PER3, H2W2PER3, H4W8PR2, HEW4PER3B, HEW2PER3, H4W2PER3 (with compatible HQA-PK)
<b>HQA-CBE</b>	(Used with HQA-CB together)	<b>HQA-CBE</b>	(Used with HQA-CB together)

# Indoor/Outdoor Mounts and Accessories

## SPECIFICATIONS

MECHANICAL			
MODEL NO.	UNIT WEIGHT	CONSTRUCTION	DIMENSIONS
HQA-BB1	1.1 lb (0.5 kg)	Die-cast aluminum	5.28 x 5.28 x 2.17 in. (134.0 x 134.0 x 55.0 mm)
HQA-BB2/HQA-BB2G	1.32 lb (0.6 kg)	Die-cast aluminum	5.28 x 5.28 x 2.01 in. (134.0 x 134.0 x 51.0 mm)
HQA-BB3/HQA-BB3G	1.08 lb (0.49 kg)	Die-cast aluminum	6.30 x 4.80 x 3.00 in. (160.0 x 122.0 x 76.0 mm)
HQA-BB4	0.53 lb (0.24 kg)	Aluminum	ø 4.80 x 1.35 in. (ø 122.0x34.2 mm)
HQA-BB5	0.55 lb (0.25 kg)	Aluminum Alloy	ø 3.48 in. (ø 88.5 mm)
HBS2-BB	1.1 lb (0.5 kg)	Die-cast aluminum	5.28 x 5.28 x 2.17 in. (134.0 x 134.0 x 55.0 mm)
HEJB	0.84 lb (0.38 kg)	Die-cast aluminum and SECC steel	ø 5.43 x 1.65 in. (ø 138.0 x 42.0 mm)
HQA-PM2 (requires a compatible junction box)	0.6 lb (0.27 kg)	Die-cast aluminum	4.94 x 4.49 x 0.79 in. (125.6 x 114.0 x 20.0 mm)
HQA-PM2B	0.6 lb (0.27 kg)	Aluminum & SUS304	4.94 x 4.49 x 0.79 in. (125.6 x 114 x 20 mm)
HB34S2-CM (requires a compatible junction box)	3.75 lb (1.7 kg)	SECC steel	9.57 x 6.69 x 5.43 in. (243.0 x 170.0 x 138.0 mm)
HB34S2-CMB	3.75 lb (1.7 kg)	SECC	9.57 x 6.69 x 5.43 in. (243 x 170 x 138mm)
HQA-WK	2.2 lb (1.0 kg)	Die-cast aluminum and ABS	4.72 x 2.85 x 6.3 in. (120.0 x 72.3 x 160.0 mm)
HQA-WKB	1.1 lb (0.5 kg)	Aluminum & SECC	6.30 x 4.80 x 2.99 in. (160 x 122 x 76 mm)
HQA-WK2/HQA-WK2G	0.35 lb (0.16 kg)	Die-cast aluminum	ø 4.25 x 1.12 in. (ø 108.0 x 28.5 mm)
HQA-IC	0.71 lb (0.32 kg)	SECC & PC	ø 6.54 x 2.98 in. (ø 166.0x75.8 mm)
HQA-RS	0.55 lb (0.25 kg)	Aluminum & SGCC	5.09 x 5 x 5.79 in. (129.3 x 127 x 147 mm)
HQA-PK	0.64 lb (0.29 kg)	Aluminum	ø 5.28 x 3.29 in. (ø 134.1 x 83.5 mm)
HQA-CB	1.98 lb (0.9 kg)	Aluminum	ø 5.07 x 30.2 in. (ø 128.8 x 767.0 mm)
HQA-CBE	1.43 lb (0.65 kg)	Aluminum	ø 1.65 x 30.71 in. (ø 42 x 780 mm)

## ORDERING

HQA-BB1	Junction Box, Off-White	HB34S2-CMB	Corner Mount Adapter, Gray
HQA-BB2	Junction Box, Off-White	HQA-WK	Wall Mount, Off-White
HQA-BB2G	Junction Box, Grey	HQA-WKB	Wall Mount Bracket, Gray
HQA-BB3	Junction Box, Off-White	HQA-WK2	Wall Mount, Off-White
HQA-BB3G	Junction Box, Grey	HQA-WK2G	Wall Mount, Grey
HQA-BB4	Junction Box, Off-White	HQA-IC	In-Ceiling Bracket, Off-White
HQA-BB5	Junction Box, Off-White	HQA-RS	Rain Shield Bracket, Off-White
HBS2-BB	Junction Box, Off-White	HQA-PK	Pendant Mount Cap, Off-White
HEJB	Junction Box, Off-White	HQA-CB	Ceiling Mount Bracket, Off-White
HQA-PM2	Pole Mount Adapter, Off-White	HQA-CBE	Ceiling Mount Extend Bracket, Off-White
HQA-PM2B	Pole Mount Adapter, Gray		
HB34S2-CM	Corner Mount Adapter, Off-White		

- A compatible junction box is required when installing to either the the HQA-PM2 pole mount or the HB34S2-CM corner mount.
- The HQA-BB4 must be used when installing the camera to HQA-PM2 or HQA-PM2B, vice versa.
- The HQA-PK must be used when installing the camera to HQA-CB.
- The HQA-CBE must be used with HQA-CB together.

### For more information

[www.honeywellvideo.com](http://www.honeywellvideo.com)

### Honeywell Security

2700 Blankenbaker Pkwy, Suite 150  
Louisville, KY 40299  
1.800.323.4576  
[www.honeywell.com](http://www.honeywell.com)

Honeywell reserves the right, without notification, to make changes in product design or specifications.

HSV-HQA MOUNTS-02-US(1118)DS-Y  
© 2018 Honeywell International Inc.

**Honeywell**